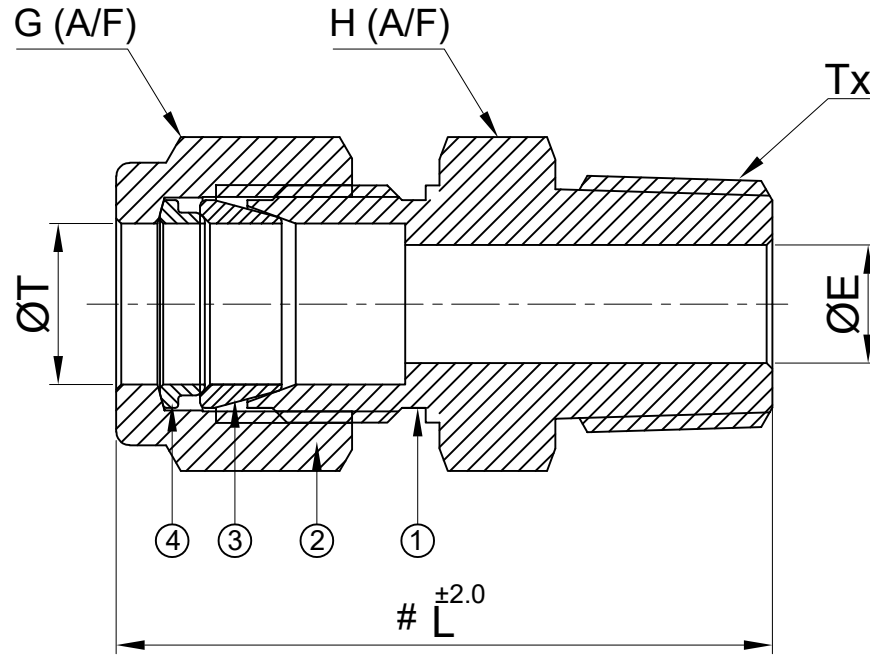

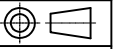


SR NO	DESCRIPTION	QTY	MATERIAL
1	BODY	1	SS 316
2	NUT	1	SS 316
3	FRONT FERRULE	1	SS 316
4	BACK FERRULE	1	SS 316



SR NO	PART NO	T	Tx	L	H (A/F)	G(A/F)	ØE	Pressure Rating (Psig)
5	12MMC8N-S6	12mm	1/2" NPT-M	49.0	22.0	22.0	9.5	6000
4	8MC8N-S6	1/2"	1/2" NPT-M	49.0	22.0	22.0	10.3	6000

PART NAME : MALE CONNECTOR - TUBE OD x Taper Male Threading				CUSTOMER NAME:-			
DWG NO : GA-MC-S6				PROJECT NAME:-			
MATERIAL : SS 316				PO NO:-			
DRAWN BY : VK				ENQ NO: EN2223/01163			
CHECKED BY : SB				SHEET NO: 01 OF 01			
APPROVED BY : SD				SO NO: -			
REV NO	DESCRIPTION	SIGN	DATE	* All dimensions are in mm. Dimensions for reference only and are subject to change without notice			
www.havi.in info@havi.in				* This document is the property of Havi Engineering India Pvt. Ltd. No exploitation or release of any text contained herein or relating to this document is permitted in any form without the written consent of HAVI.			
							
				REV NO: 00			
				SCALE: NTS			

NOTE:
• # MARKED DIMENSION IS IN FINGER TIGHT POSITION.

PATH: -T:\2022-2023\EXPORT\EN222301163\GAD

16 15 14 13 12 11 10 9 8 7 6 5 4 3 2 1