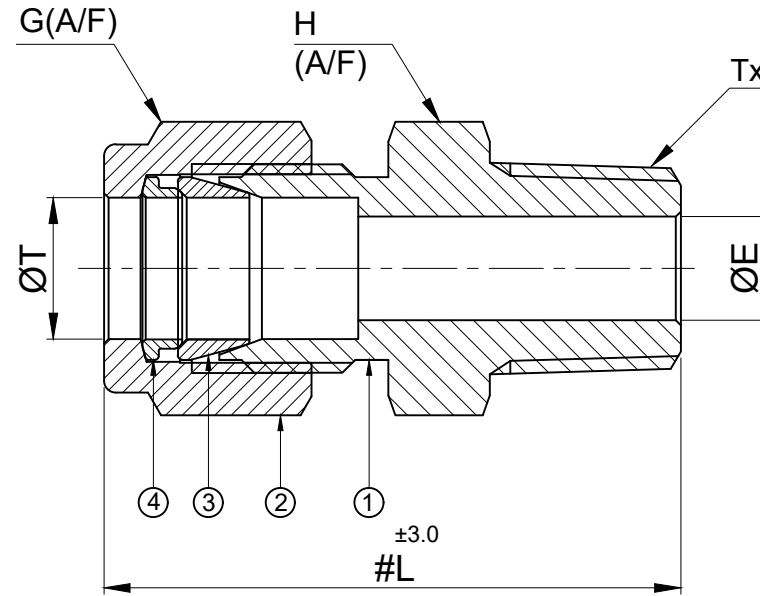


SR NO	DESCRIPTION	QTY	MATERIAL
1	BODY	1	SS316
2	NUT	1	SS316
3	FRONT FERRULE	1	SS316
4	BACK FERRULE	1	SS316



PART NO	ØT	Tx	L	G (A/F)	H (A/F)	ØE
4MC4N-S6	1/4"	1/4" NPT-M	37.5	14(9/16")	14(9/16")	4.7
4MC8N-S6	1/4"	1/2" NPT-M	44.0	22(7/8")	22(7/8")	4.7
8MC4N-S6	1/2"	1/4" NPT-M	44.0	22(7/8")	22(7/8")	7.1
8MC8N-S6	1/2"	1/2" NPT-M	49.0	22(7/8")	22(7/8")	10.3
12MC12N-S6	3/4"	3/4" NPT-M	50.0	27(1-1/16")	27(1-1/16")	15.7
16MC16N-S6	1"	1" NPT-M	62.0	35(1-3/8")	35(1-3/8")	22.0

NOTE:-

- NPT THREAD AS PER ANSI B 1.20.1.
- # MARKED DIMENSION IS IN FINGER TIGHT POSITION.
- UNLESS & OTHERWISE SPECIFIED ALL DIMENSIONS ARE IN 'mm'

 info@havi.in www.havi.in A-201, PRIME TRADE CENTER SATIVALI ROAD, VASAI (E), PALGHAR - 401208, MAHARASHTRA, INDIA	PART NAME : MALE CONNECTOR				CUSTOMER NAME :-			
	DWG NO : - GA-MC-S6				PROJECT NAME:-			
	MATERIAL :- AS PER BOM				ENQ NO:- EN2324/00354			
					SO NO :-			
	SIGN	DATE	REV NO	DESCRIPTION	SIGN	DATE	SHEET NO: 01 OF 01	
DRAWN BY	MBC	04.07.2023					REV NO: 00	
CHECKED BY	VM	04.07.2023					SCALE: NTS	
APPROVED BY	SRD	04.07.2023						
* All dimensions are in mm. Dimensions for reference only and are subject to change without notice								
* This document is the property of Havi Engineering India Pvt. Ltd. No exploitation or release of any text contained herein or relating to this document is permitted in any form without the written consent of HAVI.								

PATH: \\W:2023-2024\EXPORT\EN232400354\GAD