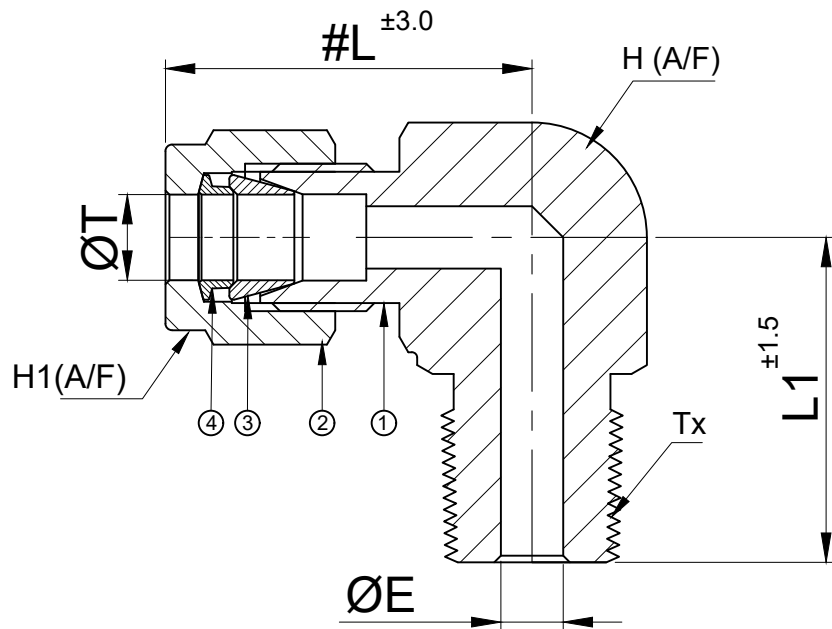


SR NO	QTY
05	06
06	06

SR NO	PART NO	T	Tx	L	L1	H (A/F)	H1(A/F)	ØE
05	4ME2N-S6	1/4"	1/4" NPT-M	27.5	22.0	15.0(5/8")	17.5(11/16")	4.7
06	4ME4N-S6	1/4"	1/4" NPT-M	27.5	24.5	15.0(5/8")	14.0(9/16")	4.7



SR NO	DESCRIPTION	QTY	MATERIAL
1	BODY	1	SS316
2	NUT	1	SS316
3	FRONT FERRULE	1	SS316
4	BACK FERRULE	1	SS316

PART NAME : MALE ELBOW - TUBE OD x NPT-M				CUSTOMER NAME:-			
DWG NO : GA-ME-S6				PROJECT NAME:-			
MATERIAL : SS316				PO NO:			
DRAWN BY : PG				ENQ NO : EN2324/00023			
CHECKED BY : VM				SHEET NO: 01 OF 01			
APPROVED BY : SRD				SO NO:			
REV NO	DESCRIPTION	SIGN	DATE	SO NO:			
* All dimensions are in mm. Dimensions for reference only and are subject to change without notice							
* This document is the property of Havi Engineering India Pvt. Ltd. No exploitation or release of any text contained herein or relating to this document is permitted in any form without the written consent of HAVI.							
REV NO: 00				SCALE: NTS			

NOTE:-

MARKED DIMENSION IS IN FINGER TIGHT POSITION.

• UNSPECIFIED FORGING HEX SIZE TOLERANCES AS PER IS-3469 PART 2

	SIGN	DATE
DRAWN BY	PG	08-05-2023
CHECKED BY	VM	08-05-2023
APPROVED BY	SRD	08-05-2023

havi
Fittings & Valves

www.havi.in
info@havi.in

PATH: J:\2023-2024\EXPORT\EN232400023\EN232400023R0