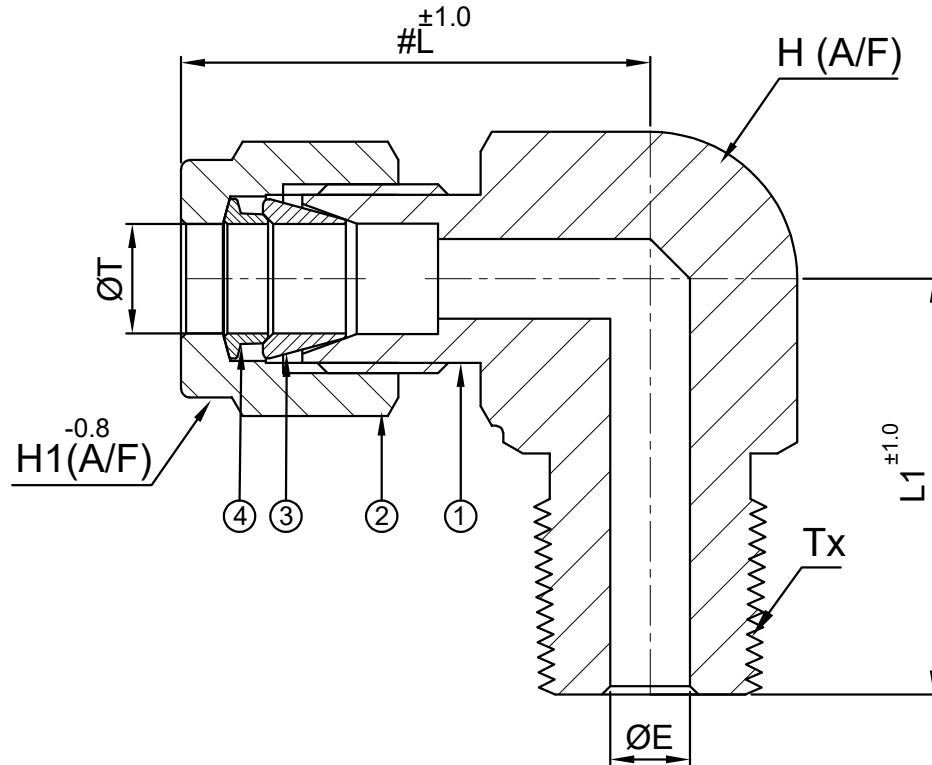


SR NO	DESCRIPTION	QTY	MATERIAL
1	BODY	1	SS 316
2	NUT	1	SS 316
3	FRONT FERRULE	1	SS 316
4	BACK FERRULE	1	SS 316



PART NO	ØT	Tx	L	L1	H (A/F)	H1(A/F)	ØE
6MME4IP-S6	6mm	1/4" BSPP-M	27.5	24.5	15.0	14.0	4.2
10MME4IP-S6	10mm	1/4" BSPP-M	39.0	27.0	17.5	19.0	7.1

havi
Fittings & Valves
info@havi.in www.havi.in
A-201, PRIME TRADE CENTER
SATIVALI ROAD, VASAI (E),
PALGHAR - 401208, MAHARASHTRA, INDIA

	SIGN	DATE
DRAWN BY	VK	18.07.2022
CHECKED BY	RW	18.07.2022
APPROVED BY	SM	18.07.2022

PART NAME : MALE ELBOW - TUBE OD x BSPP-M		CUSTOMER NAME:	
DWG NO :- XMEXIP-S6		PROJECT NAME & NO:	
MATERIAL :- AS PER BOM		ENQ NO:- EN2223/00089	
REV NO		SO NO: -	
DESCRIPTION		SIGN	
DATE		DATE	
* All dimensions are in mm. Dimensions for reference only and are subject to change without notice		SHEET NO: 01 OF 01	
* This document is the property of Havi Engineering India Pvt. Ltd. No exploitation or release of any text contained herein or relating to this document is permitted in any form without the written consent of HAVI.		REV NO: 00	
		SCALE: NTS	

NOTE:
• # MARKED DIMENSION IS IN FINGER TIGHT POSITION.