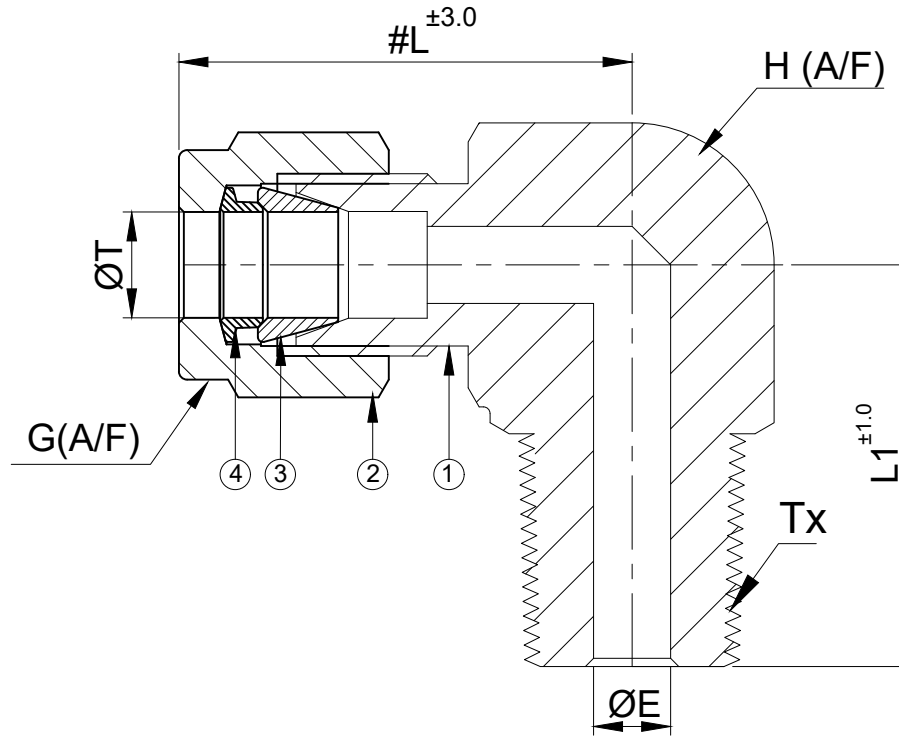


SR NO	DESCRIPTION	QTY	MATERIAL
1	BODY	1	SS 316/L
2	NUT	1	SS 316/L
3	FRONT FERRULE	1	SS 316/L
4	BACK FERRULE	1	SS 316/L



SR NO	PART NO	T	Tx	L	L1	H (A/F)	G(A/F)	ØE
11	10MME4N-S6	10mm	1/4" NPT-M	32.5	27.0	17.5(11/16")	19.0(3/4")	7.1
12	8MME4N-S6	8mm	1/4" NPT-M	30.0	25.0	15.0(19/32")	16.0(5/8")	6.4
17	8MME8N-S6	8mm	1/2" NPT-M	34.1	33.5	22.0(7/8")	16.0(5/8")	6.4
18	10MME8N-S6	10mm	1/2" NPT-M	33.0	33.0	22.0(7/8")	19.0(3/4")	7.9

NOTE:

- # MARKED DIMENSION IS IN FINGER TIGHT POSITION.
- NPT THREAD AS PER ANSI B 1.20.1.
- UNSPECIFIED FORGING HEX TOLLARANCE AS PER IS-3469 PART 2

	SIGN	DATE
DRAWN BY	PG	06-07-2023
CHECKED BY	VM	06-07-2023
APPROVED BY	SRD	06-07-2023



www.havi.in
info@havi.in

PART NAME : MALE ELBOW - TUBE OD x Male Threading				CUSTOMER NAME:- VSP											
DWG NO : GA-ME-S6				PROJECT NAME:-											
MATERIAL : SS 316/L				PO NO:-											
				ENQ NO:											
				SO NO: - SO2324/00108											
<table border="1"> <thead> <tr> <th>REV NO</th> <th>DESCRIPTION</th> <th>SIGN</th> <th>DATE</th> </tr> </thead> <tbody> <tr> <td> </td> <td> </td> <td> </td> <td> </td> </tr> </tbody> </table>				REV NO	DESCRIPTION	SIGN	DATE								
REV NO	DESCRIPTION	SIGN	DATE												
* All dimensions are in mm. Dimensions for reference only and are subject to change without notice				REV NO: 00											
* This document is the property of Havi Engineering India Pvt. Ltd. No exploitation or release of any text contained herein or relating to this document is permitted in any form without the written consent of HAVI.				SCALE: NTS											