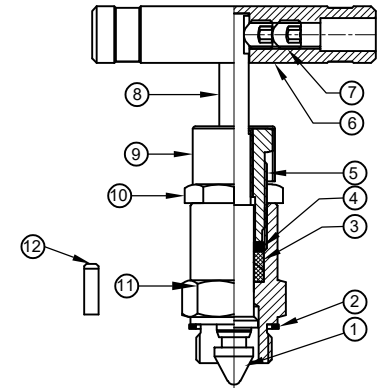
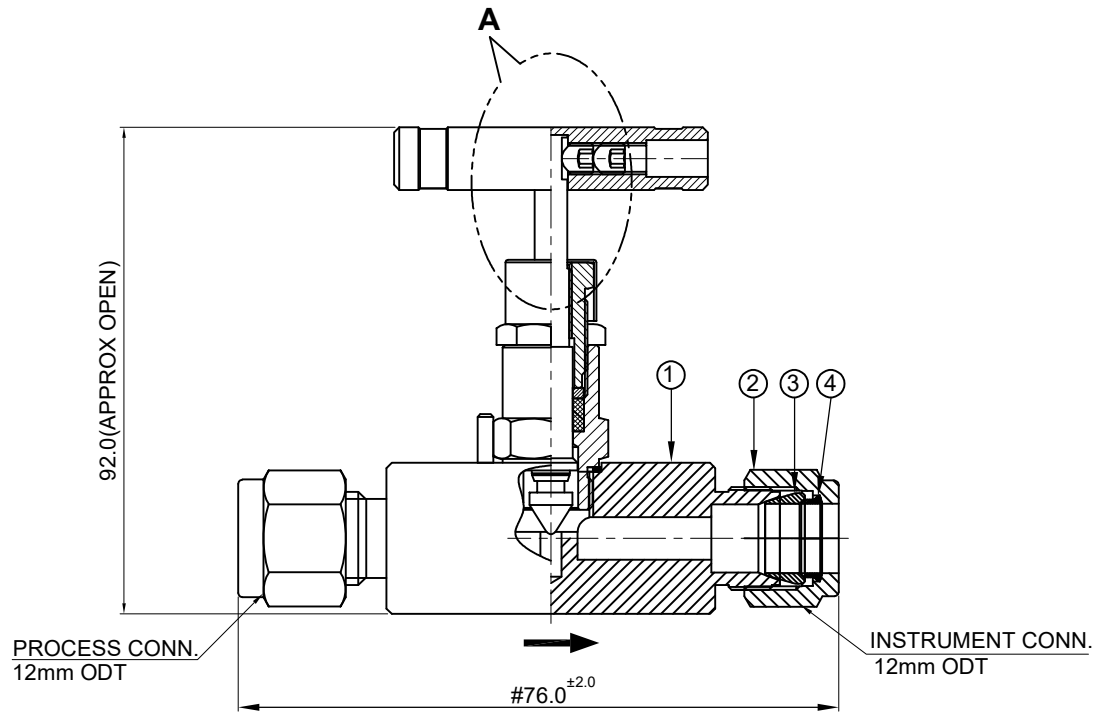


SR NO	DESCRIPTION	QTY	MATERIAL
1	BODY	1	SS 316L
2	NUT	2	SS 316L
3	FRONT FERRULE	2	SS 316L
4	BACK FERRULE	2	SS 316L



DETAIL : A

Sr No	PART	QTY	MATERIAL
1	Tip	1	ASTM A479 Gr. SS316L
2	Bonnet Packing	1	ASTM A479 Gr. SS316L
3	Gland Washer	1	ASTM A479 Gr. SS316L
4	Gland Packing	1	PTFE
5	Bonnet Pusher	1	ASTM A479 Gr. SS316L
6	Handle	1	SS 316
7	Grub Screw	2	SS 304
8	Spindle	1	ASTM A479 Gr. SS316L
9	Drain Cap	1	PVC
10	Check Nut	1	ASTM A479 Gr. SS316
11	Bonnet	1	ASTM A479 Gr. SS316L
12	Dowel Pin	1	SS 304

Data Sheet.

Process Conn.: 12mm ODT
Instrument Conn.: 12mm ODT

Orifice: 4mm

Screwed Bonnet Design

MWP.: 6000 psig @ 100 °F
Seat Test Press (Hydro): 6600 psig
Seat Test Press (Pneu): 90 psig
Body Test Press (Hydro): 9000 psig

NOTE :- UNLESS OTHERWISE SPECIFIED ALL DIMENSIONS ARE IN 'mm'
MARKED DIMENSION IS IN FINGER TIGHT POSITION.

havi
Fittings & Valves
info@havi.in www.havi.in
A-201, PRIME TRADE CENTER
SATIVALI ROAD, VASAI (E),
PALGHAR - 401208, MAHARASHTRA, INDIA

	SIGN	DATE
DRAWN BY	VK	04.05.2022
CHECKED BY	RW	04.05.2022
APPROVED BY	SM	04.05.2022

PART NAME : BAR STOCK NEEDLE VALVE 12mm ODT X 12mm ODT

DWG NO : - NVBS-12MT-12MT-S6L

MATERIAL :- AS PER BOM

REV NO	DESCRIPTION	SIGN	DATE

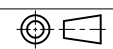
CUSTOMER NAME:-

PROJECT NAME :-

END USER NAME :-

ENQ NO:- EN2223/00036

SO NO:-



SHEET NO:
01 OF 01

REV NO: 00

SCALE: NTS

PATH:-X:\2022-2023\EXPORT\EN222300036\GAD