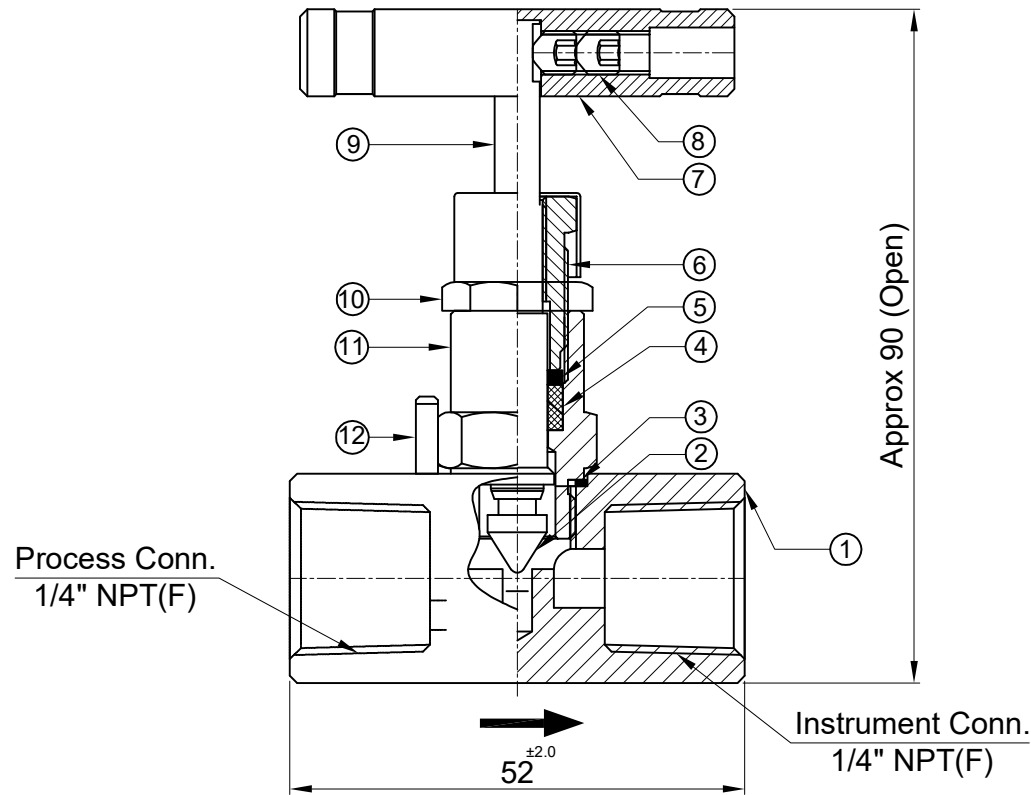


SR NO	PART DESCRIPTION	MATERIAL	QTY
1	BODY	ASTM A182 Gr.F316	1
2	TIP	ASTM A479 Gr.SS316	1
3	BONNET WASHER	ASTM A479 Gr.SS316	1
4	GLAND PACKING	GRAPHITE	1
5	BACKUP WASHER	ASTM A479 Gr.SS316	1
6	BONNET PUSHER	ASTM A479 Gr.SS316	1
7	HANDLE	SS304	1
8	GRUB SCREW	SS304	2
9	SPINDLE	ASTM A479 Gr.SS316	1
10	CHECK NUT	SS304	1
11	BONNET	ASTM A479 Gr.SS316	1
12	DOWEL PIN	SS304	1



Data Sheet.

Process Conn.: 1/4" NPT(F)
Instrument Conn.: 1/4" NPT(F)

Orifice.: 4mm

Screwed Bonnet Design

M W P.: 6000 psig @ 100 °F
Seat Test Press (Hydro): 6600 psig
Seat Test Press (Pneu): 90 psig
Body Test Press (Hydro): 9000 psig
Temp. Range:- -53 to 649°C

havi
Fittings & Valves
info@havi.in www.havi.in
A-201, PRIME TRADE CENTER
SATIVALI ROAD, VASAI (E),
PALGHAR - 401208, MAHARASHTRA, INDIA

	SIGN	DATE
DRAWN BY	SB	11.11.2022
CHECKED BY	RW	11.11.2022
APPROVED BY	SM	11.11.2022

PART NAME : Needle Valve Size - 1/4" NPT(F)

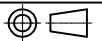
CUSTOMER NAME:-

DWG NO : - NVBS-4F-4F-S6-G

PROJECT NAME & NO:

MATERIAL :- AS PER BOM

ENQ NO:- EN2223/00927



SHEET NO:
01 OF 01

REV NO	DESCRIPTION	SIGN	DATE

SO NO: -

REV NO: 00

* All dimensions are in mm. Dimensions for reference only and are subject to change without notice
* This document is the property of Havi Engineering India Pvt. Ltd. No exploitation or release of any text contained herein or relating to this document is permitted in any form without the written consent of HAVI.

SCALE: NTS

J
I
H
G
F
E
D
C
B
A