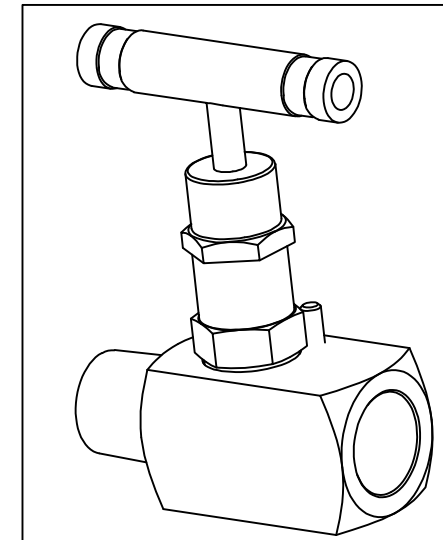
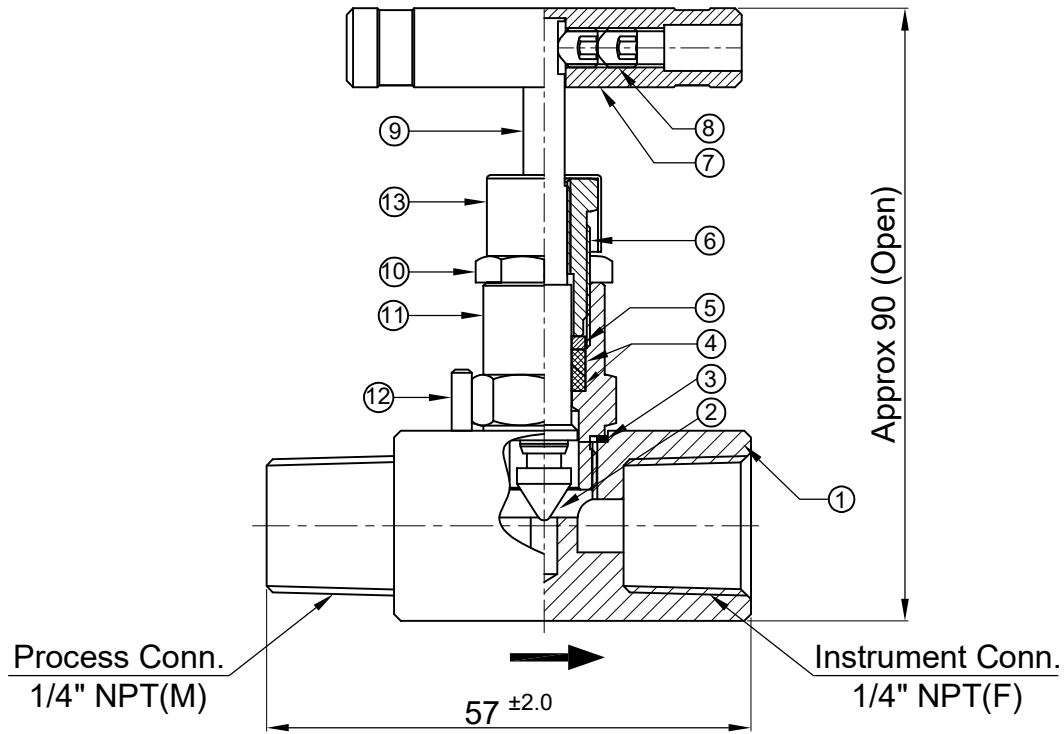


SR NO	DESCRIPTION	MATERIAL	QTY
1	BODY	ASTM A182 Gr F316L	1
2	TIP	ASTM A479 Gr 316L	1
3	BONNET WASHER	ASTM A479 Gr 316L	1
4	GLAND PACKING	GFT	1 SET
5	BACKUP WASHER	ASTM A479 Gr 316L	1
6	BONNET PUSHER	ASTM A479 Gr 316L	1
7	HANDLE	SS 316	1
8	GRUB SCREW	SS 304	2
9	SPINDLE	ASTM A479 Gr 316L	1
10	CHECK NUT	ASTM A479 Gr 316L	1
11	BONNET	ASTM A479 Gr 316L	1
12	DOWEL PIN	SS 304	1
13	DUST CAP	PVC	1




Data Sheet.
 Process Conn.: 1/4" NPT-M
 Instrument Conn.: 1/4" NPT-F

 Orifice: 4mm

 Screwed Bonnet Design

 MWP.: 6000 psig @ 100 °F
 Seat Test Press (Hydro): 6600 psig
 Seat Test Press (Pneu): 90 psig
 Body Test Press (Hydro): 9000 psig
 Temperature Rating:- -54°c - 260°c

• NOTE: NPT THREAD AS PER ANSI B 1.20.1.

 havi Filings & Valves info@havi.in www.havi.in A-201, PRIME TRADE CENTER SATIVALI ROAD, VASAI (E) PALGHAR - 401208, MAHARASHTRA, INDIA				PART NAME : BAR STOCK NEEDLE VALVE 1/4" NPT-M x 1/4" NPT-F				CUSTOMER NAME:-			
				DWG NO : - NVBS-4M-4F-S6L				PROJECT NAME :-			
MATERIAL :- AS PER BOM				END USER NAME :-				ENQ NO: EN2223/01381			
DRAWN BY SB 24.02.2023				SIGN DATE				SHEET NO: 01 OF 01			
CHECKED BY VK 24.02.2023				SIGN DATE				REV NO: 00			
APPROVED BY SD 24.02.2023				SIGN DATE				SCALE: NTS			
* All dimensions are in mm. Dimensions for reference only and are subject to change without notice				* This document is the property of Havi Engineering India Pvt. Ltd. No exploitation or release of any text contained herein or relating to this document is permitted in any form without the written consent of HAVI.							

PATH: -Z:\2022-2\023\EXPORT\EN2223\01381\IGAD

16 15 14 13 12 11 10 9 8 7 6 5 4 3 2 1