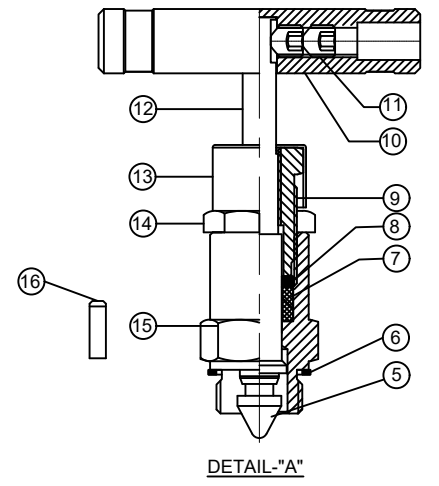
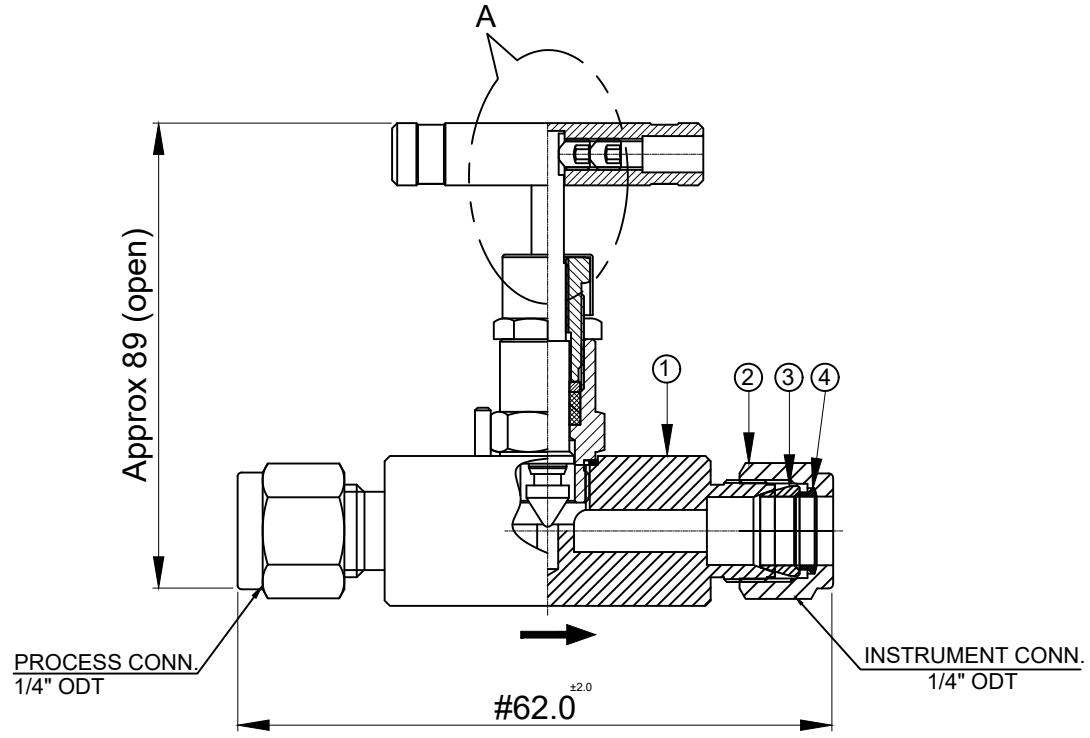


SR NO	DESCRIPTION	MATERIAL	QTY
1	BODY	ASTM A479 Gr.SS316	1
2	NUT	SS 316	2
3	FRONT FERRULE	SS 316	2
4	BACK FERRULE	SS 316	2
5	TIP	ASTM A479 Gr.SS316	1
6	BONNET PACKING	ASTM A479 Gr.SS316	1
7	GLAND PACKING	GFT	1
8	GLAND WASHER	ASTM A479 Gr.SS316	1
9	BONNET PUSHER	ASTM A479 Gr.SS316	1
10	HANDLE	SS304	1
11	GRUB SCREW	SS304	2
12	SPINDLE	ASTM A479 Gr.SS316	1
13	DRAIN CAP	PVC	1
14	CHECK NUT	SS304	1
15	BONNET	ASTM A479 Gr.SS316	1
16	DOWEL PIN	SS304	1




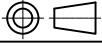
Data Sheet.
 Process Conn.: 1/4" ODT
 Instrument Conn.: 1/4" ODT

Orifice: 4mm

Screwed Bonnet Design

MWP.: 6000 psig @ 100 °F
 Seat Test Press (Hydro): 6600 psig
 Seat Test Press (Pneu): 90 psig
 Body Test Press (Hydro): 9000 psig

MARKED DIMENSION IS IN FINGER TIGHT POSITION.

PART NAME : BAR STOCK NEEDLE VALVE 1/4" ODT X 1/4" ODT				CUSTOMER NAME:																							
DWG NO : NVBS-4T-4T-S6				PROJECT NAME & NO:																							
MATERIAL : SS 316				ENQ NO:- EN2223/01092																							
SO NO:				SHEET NO: 01 OF 01																							
<table border="1"> <thead> <tr> <th>DRAWN BY</th> <th>SIGN</th> <th>DATE</th> </tr> </thead> <tbody> <tr> <td>PG</td> <td></td> <td>27-03-2023</td> </tr> <tr> <td>CHECKED BY</td> <td>MC</td> <td>27-03-2023</td> </tr> <tr> <td>APPROVED BY</td> <td>SRD</td> <td>27-03-2023</td> </tr> </tbody> </table>				DRAWN BY	SIGN	DATE	PG		27-03-2023	CHECKED BY	MC	27-03-2023	APPROVED BY	SRD	27-03-2023	<table border="1"> <thead> <tr> <th>REV NO</th> <th>DESCRIPTION</th> <th>SIGN</th> <th>DATE</th> </tr> </thead> <tbody> <tr> <td> </td> <td> </td> <td> </td> <td> </td> </tr> </tbody> </table>				REV NO	DESCRIPTION	SIGN	DATE				
DRAWN BY	SIGN	DATE																									
PG		27-03-2023																									
CHECKED BY	MC	27-03-2023																									
APPROVED BY	SRD	27-03-2023																									
REV NO	DESCRIPTION	SIGN	DATE																								
 www.havi.in info@havi.in				* All dimensions are in mm. Dimensions for reference only and are subject to change without notice * This document is the property of Havi Engineering India Pvt. Ltd. No exploitation or release of any text contained herein or relating to this document is permitted in any form without the written consent of HAVI.																							
				REV NO: 00 SCALE: NTS																							

PATH-J:\2022-2023\EXPORT\EN22301092