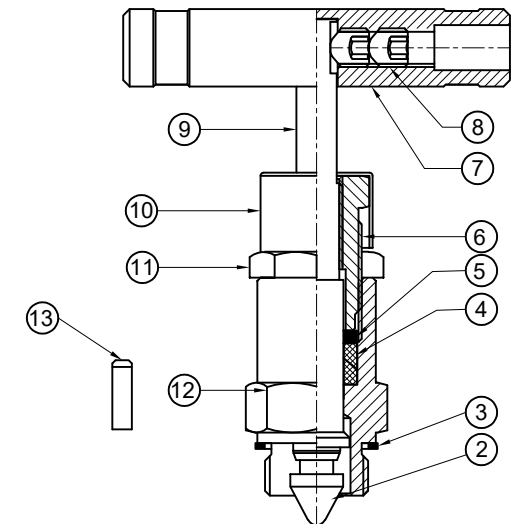
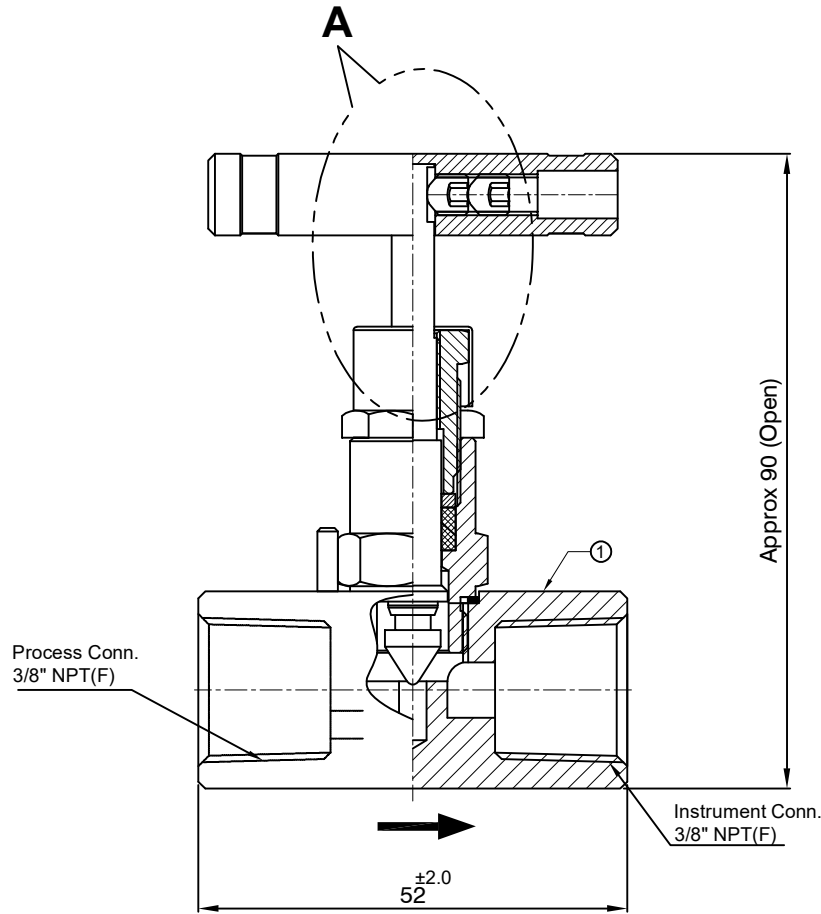


SR NO	DESCRIPTION	MATERIAL	QTY
1	BODY	ASTM A479 Gr.SS316	1
2	TIP	ASTM A479 Gr.SS316	1
3	BONNET PACKING	ASTM A479 Gr.SS316	1
4	GLAND PACKING	GFT	1
5	GLAND WASHER	ASTM A479 Gr.SS316	1
6	BONNET PUSHER	ASTM A479 Gr.SS316	1
7	HANDLE	SS304	1
8	GRUB SCREW	SS304	2
9	SPINDLE	ASTM A479 Gr.SS316	1
10	DUST CAP	ALUMINUM	1
11	CHECK NUT	SS304	1
12	BONNET	ASTM A479 Gr.SS316	1
13	DOWEL PIN	SS304	1



**DETAIL : A**

**Data Sheet.**  
 Process Conn.: 3/8" NPT(F)  
 Instrument Conn.: 3/8" NPT(F)

Orifice: 4mm

Screwed Bonnet Design

MWP.: 6000 psig @ 100 °F  
 Seat Test Press (Hydro): 6600 psig  
 Seat Test Press (Pneu): 90 psig  
 Body Test Press (Hydro): 9000 psig

NOTE:- UNLESS SPECIFIED ALL DIMENSIONS ARE IN mm

**havi**  
 Fittings & Valves  
 info@havi.in www.havi.in  
 A-201, PRIME TRADE CENTER  
 SATIVALI ROAD, VASAI (E),  
 PALGHAR - 401208, MAHARASHTRA, INDIA

	SIGN	DATE
DRAWN BY	MBC	17.04.2023
CHECKED BY	VM	17.04.2023
APPROVED BY	SRD	17.04.2023

PART NAME : BAR STOCK NEEDLE VALVE, 3/8" NPT-F X 3/8" NPT-F		CUSTOMER NAME: -	
DWG NO : - NVBS-6F-6F-S6		PROJECT NAME & NO: -	
MATERIAL : - AS PER BOM		ENQ NO: EN2324/00055	
REV NO	DESCRIPTION	SIGN	DATE
SO NO: -	SHEET NO: 01 OF 01		
* All dimensions are in mm. Dimensions for reference only and are subject to change without notice			REV NO: 00
* This document is the property of Havi Engineering India Pvt. Ltd. No exploitation or release of any text contained herein or relating to this document is permitted in any form without the written consent of HAVI.			SCALE: NTS

PATH:-G:\2023-2024\EXPORT\EN2324\00055