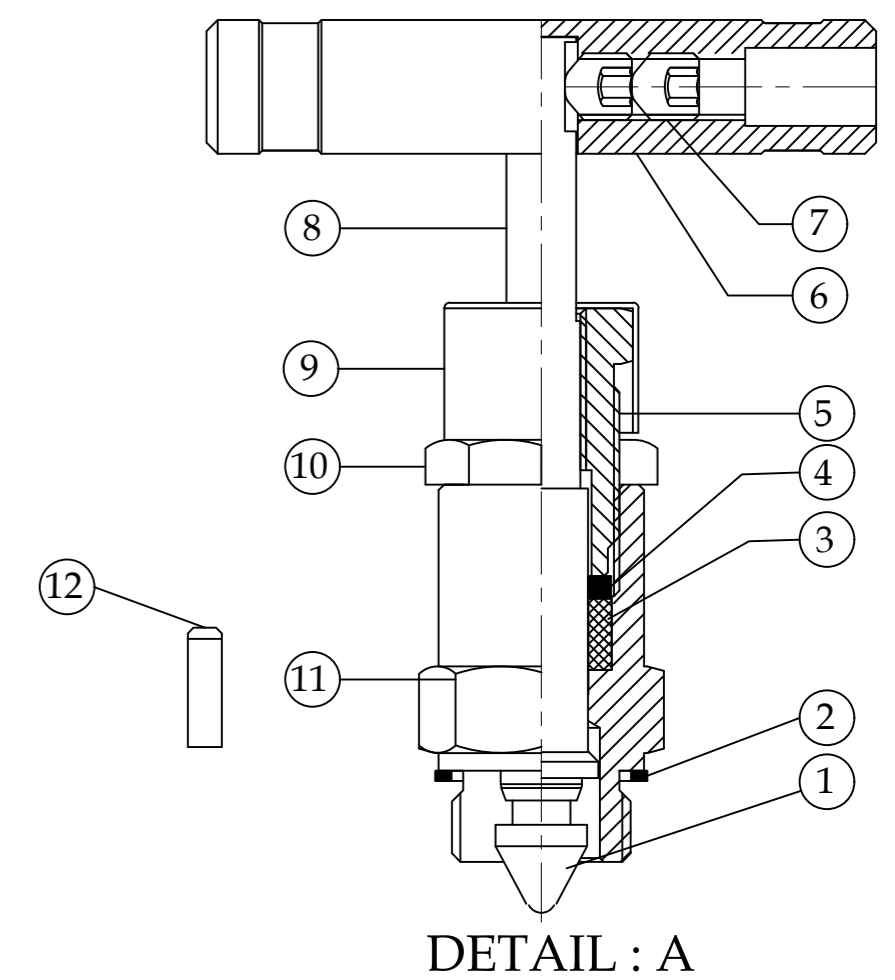


Sr No.	Description	Material	Qty
1	TIP	ASTM A479 Gr. SS316L	1
2	BONNET PACKING	ASTM A479 Gr. SS316L	1
3	GLAND WASHER	ASTM A479 Gr. SS316L	1
4	GLAND PACKING	GRAPHITE	1
5	BONNET PUSHER	ASTM A479 Gr. SS316L	1
6	HANDLE	SS 304	1
7	GRUB SCREW	SS 304	2
8	SPINDLE	ASTM A479 Gr. SS316L	1
9	DUST CAP	ALUMINIUM	1
10	CHECK NUT	SS304	1
11	BONNET	ASTM A479 Gr. SS316L	1
12	DOWEL PIN	SS304	1
13	BODY	ASTM A479 Gr. SS316L	1



TECHNICAL DETAILS:

- PROCESS SIDE: 1/2" NPT-F
- INSTRUMENT SIDE: 1/2" NPT-F
- SCREWED BONNET DESIGN
- ORIFICE 4mm
- MWP.: 6000 PSIG @ 100 °F
- BODY TEST PRESS (HYDRO): 9000 PSIG
- SEAT TEST PRESS (HYDRO): 6600 PSIG
- SEAT TEST PRESS (PNEU): 90 PSIG
- TEMPERATURE RANGE:- -53°C TO +649°C



havi
Fittings & Valves
info@havi.in www.havi.in
A-201, PRIME TRADE CENTER
SATIVALI ROAD, VASAI (E),
PALGHAR - 401208, MAHARASHTRA, INDIA

SIGN	DATE
DRAWN BY: MBC	12.09.2023
CHECKED BY: VSM	12.09.2023
APPROVED BY: SRD	12.09.2023

PART NAME : NEEDLE VALVE, 1/2 " -NPT(F) x 1/2 " -NPT(F)		CUSTOMER NAME:-	
DWG NO : - NVBS-8F-8F-S6-G		PROJECT NAME:-	
MATERIAL : - AS PER BOM		PO NO:-	
R1 CUSTOMER COMMENTS INCORPORATED		ENQ NO: -	
REV NO	DESCRIPTION	SIGN	DATE
R1	CUSTOMER COMMENTS INCORPORATED	MBC	16.09.2023
SO NO: SO2324/00186		SHEET NO: 01 OF 01	
* All dimensions are in mm. Dimensions for reference only and are subject to change without notice		REV NO: 01	
* This document is the property of Havi Engineering India Pvt. Ltd. No exploitation or release of any text contained herein or relating to this document is permitted in any form without the written consent of HAVI.		SCALE: NTS	

PATH: Y:\FY 2023-24\ISO-0186\GAD\SUBMITTED GAD