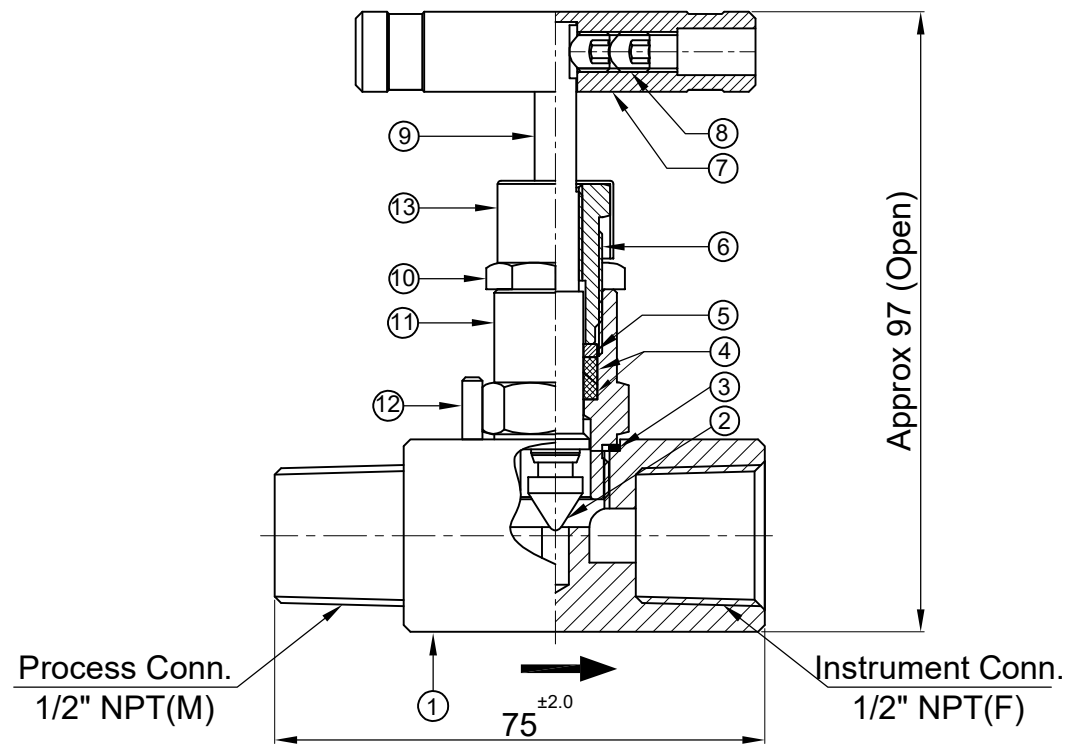


SR NO	DESCRIPTION	MATERIAL	QTY
1	BODY	ASTM A479 Gr 316	1
2	TIP	ASTM A479 Gr 316	1
3	BONNET WASHER	ASTM A479 Gr 316	1
4	GLAND PACKING	GFT	1
5	BACKUP WASHER	ASTM A479 Gr 316	1
6	BONNET PUSHER	ASTM A479 Gr 316	1
7	HANDLE	SS 304	1
8	GRUB SCREW	SS 304	2
9	SPINDLE	ASTM A479 Gr 316	1
10	CHECK NUT	ASTM A479 Gr 316	1
11	BONNET	ASTM A479 Gr 316	1
12	DOWEL PIN	SS 304	1
13	DUST CAP	PVC	1



Data Sheet.
 Process Conn.: 1/2" NPT-M
 Instrument Conn.: 1/2" NPT-F

Orifice: 4mm

Screwed Bonnet Design

MWP.: 10000 psig @ 100 °F
 Seat Test Press (Hydro): 11000 psig
 Seat Test Press (Pneu): 90 psig
 Body Test Press (Hydro): 15000 psig

NOTE: NPT THREAD AS PER ANSI B 1.20.1.

havi
 Fittings & Valves
 info@havi.in www.havi.in
 A-201, PRIME TRADE CENTER
 SATIVALI ROAD, VASAI (E),
 PALGHAR - 401208, MAHARASHTRA, INDIA

	SIGN	DATE
DRAWN BY	VK	03.02.2023
CHECKED BY	SB	03.02.2023
APPROVED BY	SD	03.02.2023

PART NAME : BAR STOCK NEEDLE VALVE HIGH PRESSURE, 1/2" NPT-M x 1/2" NPT-F		CUSTOMER NAME:-	
DWG NO : - NVHB-8M-8F-S6		PROJECT NAME :-	
MATERIAL :- AS PER BOM		END USER NAME :-	
ENQ NO: EN2223/01246		SHEET NO: 01 OF 01	
* All dimensions are in mm. Dimensions for reference only and are subject to change without notice		REV NO: 00	
* This document is the property of Havi Engineering India Pvt. Ltd. No exploitation or release of any text contained herein or relating to this document is permitted in any form without the written consent of HAVI.		SCALE: NTS	

PATH: -X:\2022-2023\EXPORT\EN222301246\GAD