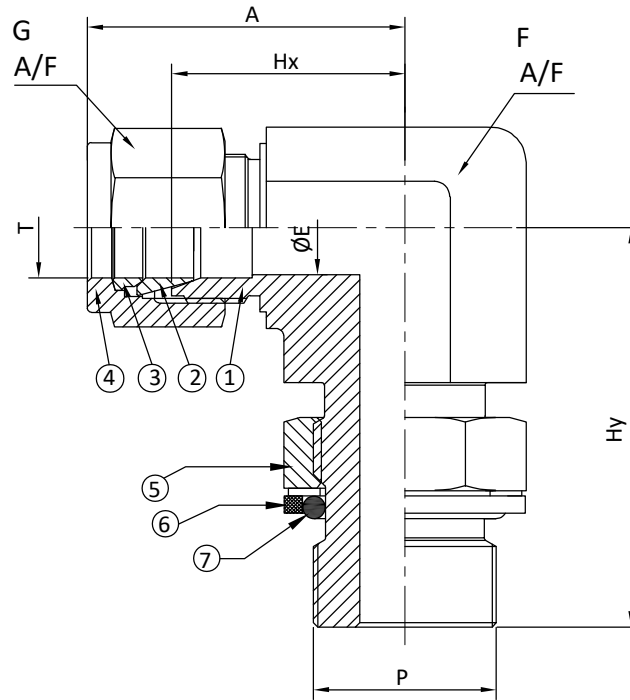


PATH:-\192.168.0.10\WORK ORDER\FY 2022-23\SO-0145



SR.NO.	DESCRIPTION	MATERIAL	QTY
1	BODY	ASTM A182 TYPE SS316	1
2	FRONT FERRULE	ASTM A276 TYPE SS316	1
3	BACK FERRULE	ASTM A276 TYPE SS316	1
4	NUT	ASTM A479 TYPE SS316	1
5	CHECK NUT	ASTM A479 TYPE SS316	1
6	RETAINING RING	ASTM A479 TYPE SS316	1
7	O RING	VITON	1

HAVI PART NUMBER	T TUBE OD (mm)	P BSPP(M) (Inch)	A	ØE	F A/F	G A/F	Hx	Hy
6MPME4IP-S6	6	1/4	29.5	4.7	14.2	14.0	22.0	32.3
10MPME4IP-S6	10	1/4	30.5	4.7	17.5	19.0	23.0	32.3

<p>havi Fittings & Valves info@havi.in www.havi.in A-201, PRIME TRADE CENTER SATIVALI ROAD, VASAI (E), PALGHAR - 401208, MAHARASHTRA, INDIA</p>	PART NAME : Positionable Male Elbow- TUBE ODT X BSPP				CUSTOMER NAME:			
	DWG NO : - XMPMEXIP-S6				PROJECT NAME & NO:			
	MATERIAL :- AS PER BOM				ENQ NO:- EN2223/00089			
	1 Length A & Hx change MP 05.08.2022				SO NO: - SO2223/00145			
DRAWN BY	VK	10.06.2022	* All dimensions are in mm. Dimensions for reference only and are subject to change without notice				SHEET NO: 01 OF 01	
CHECKED BY	RW	10.06.2022	* This document is the property of Havi Engineering India Pvt. Ltd. No exploitation or release of any text contained herein or relating to this document is permitted in any form without the written consent of HAVI.				REV NO: 00	
APPROVED BY	SM	10.06.2022					SCALE: NTS	

NOTE:
• # MARKED DIMENSION IS IN FINGER TIGHT POSITION.