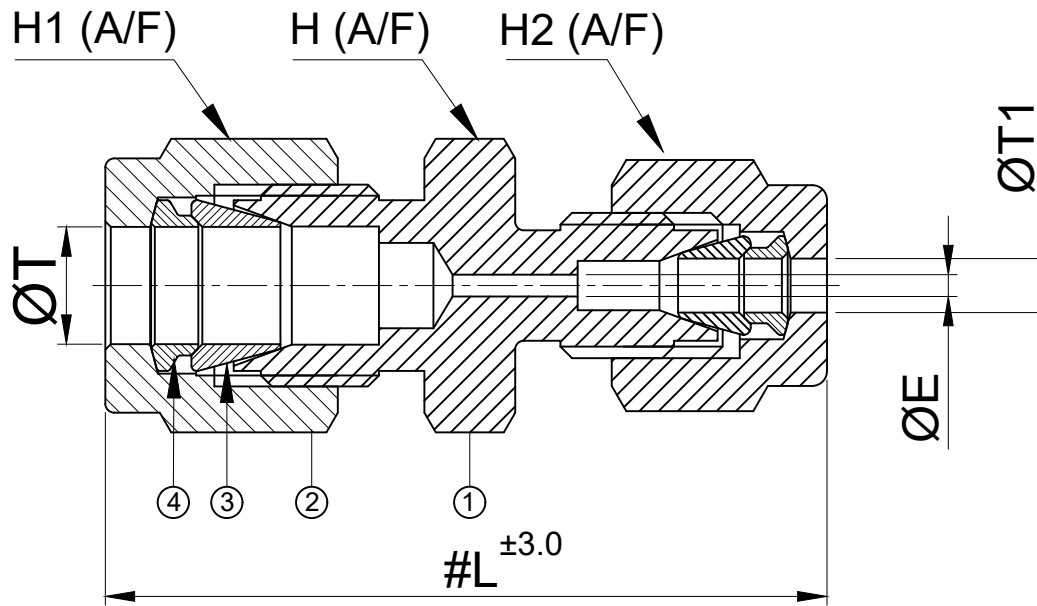


SR NO	QTY
07	45
08	12

SR NO	DESCRIPTION	QTY	MATERIAL
1	BODY	1	SS 316
2	NUT	2	SS 316
3	FRONT FERRULE	2	SS 316
4	BACK FERRULE	2	SS 316



SR NO	PART NO	ØT	ØT1	L	H (A/F)	H1 (A/F)	H2 (A/F)	ØE
07	4RU2-S6	1/4"	1/8"	39.5	14.0(9/16")	14.0(9/16")	11.0(7/16")	2.0
08	2RU1-S6	1/8"	1/16"	33.5	11.0(7/16")	11.0(7/16")	8.0(5/16")	1.2

PART NAME :- REDUCING UNION ODT X ODT				CUSTOMER NAME:-			
DWG NO : GA-RU-S6				PROJECT NAME:-			
MATERIAL : SS 316				PO NO:-			
DRAWN BY PG 08-05-2023				ENQ NO : EN2324/00023			
CHECKED BY VM 08-05-2023				SHEET NO: 01 OF 01			
APPROVED BY SRD 08-05-2023				SO NO: -			
REV NO	DESCRIPTION	SIGN	DATE	* All dimensions are in mm. Dimensions for reference only and are subject to change without notice			
				* This document is the property of Havi Engineering India Pvt. Ltd. No exploitation or release of any text contained herein or relating to this document is permitted in any form without the written consent of HAVI.			
				REV NO: 00			
				SCALE: NTS			

	SIGN	DATE
DRAWN BY	PG	08-05-2023
CHECKED BY	VM	08-05-2023
APPROVED BY	SRD	08-05-2023



www.havi.in
info@havi.in

NOTE:
 • # MARKED DIMENSION IS IN FINGER TIGHT POSITION.
 • NPT THREAD AS PER ANSI B 1.20.1.

PATH:-J:\2023-2024\EXPORT\EN232400023\EN232400023R0