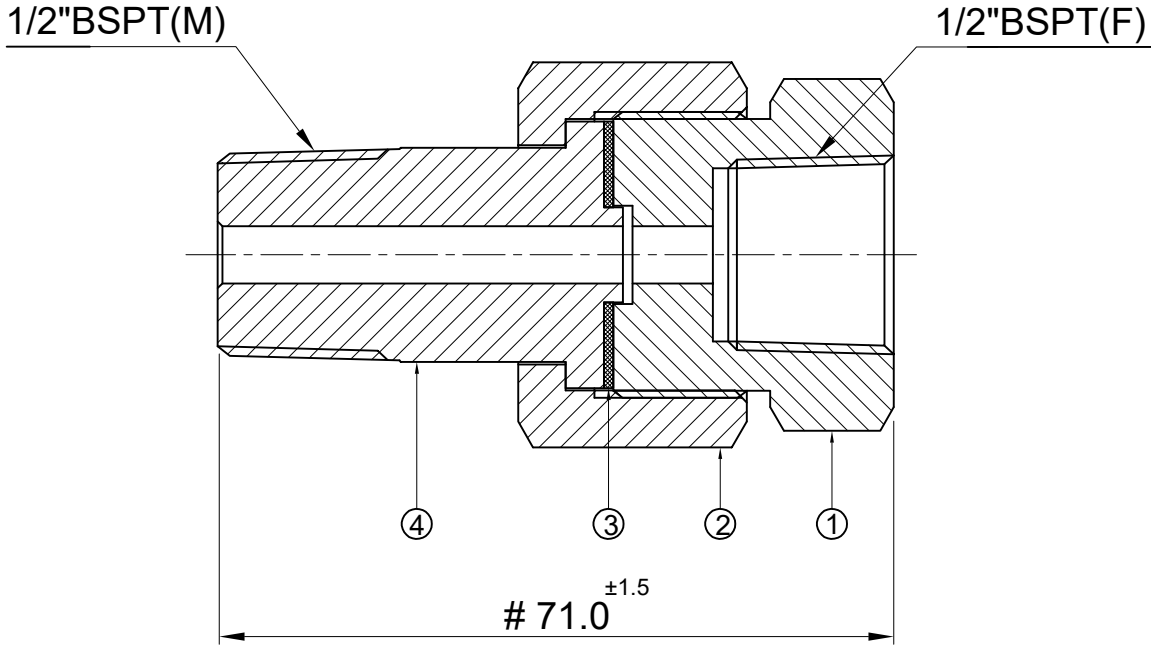


SR NO	DESCRIPTION	QTY	MATERIAL
1	CONNECTOR	1	SS 316
2	NUT	1	SS 316
3	PACKING	1	GRAPHITE
4	BODY	1	SS 316



PATH: -X:\2022-2023\EXPORT\EN222301277\GAD

- MWP : 6000 psig @100°F
 - Temperature Range: -54°C to 649°C
- Note:- Unless Otherwise Specified All Dimensions Are In 'mm'

havi
Fittings & Valves
 info@havi.in www.havi.in
 A-201, PRIME TRADE CENTER
 SATIVALI ROAD, VASAJ (E),
 PALGHAR - 401208, MAHARASHTRA, INDIA

	SIGN	DATE
DRAWN BY	VK	07.02.2023
CHECKED BY	SB	07.02.2023
APPROVED BY	SD	07.02.2023

PART NAME : Swivel gauge Adaptor 1/2" BSPT-M X 1/2" BSPT-F		CUSTOMER NAME:	
DWG NO : - SGA-8ITM-8ITF-S6-G		PROJECT NAME & NO:	
MATERIAL : - AS PER BOM		ENQ NO: EN2223/01277	
REV NO		SO NO:	
DESCRIPTION	SIGN	DATE	SHEET NO: 01 OF 01
* All dimensions are in mm. Dimensions for reference only and are subject to change without notice			REV NO: 00
* This document is the property of Havi Engineering India Pvt. Ltd. No exploitation or release of any text contained herein or relating to this document is permitted in any form without the written consent of HAVI.			SCALE: NTS