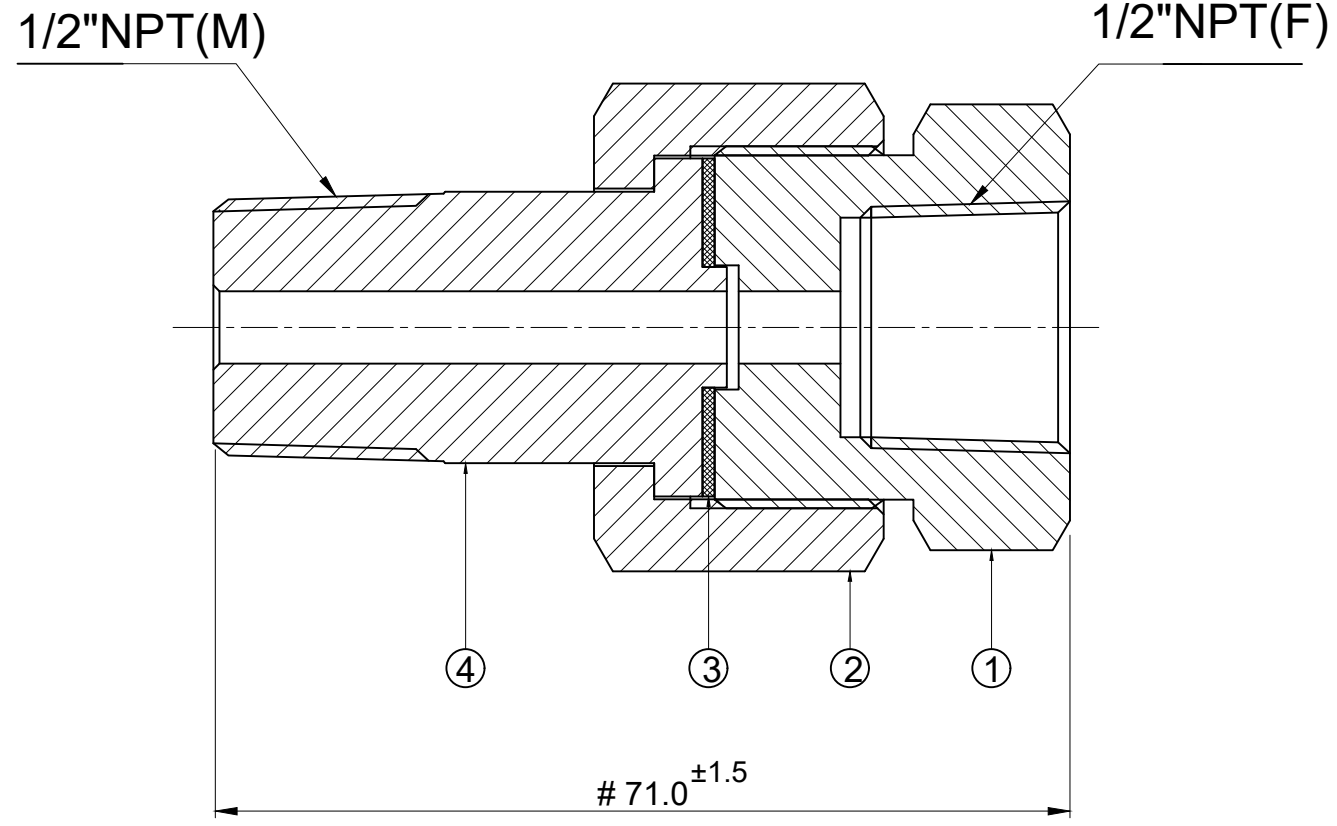


SR NO	DESCRIPTION	QTY	MATERIAL
1	CONNECTOR	1	SS 316
2	NUT	1	SS 316
3	PACKING	1	GRAPHITE
4	BODY	1	SS 316



NOTE:-

- # NPT THREAD AS PER ANSI B 1.20.1.
- # MARKED DIMENSION IS IN FINGER TIGHT POSITION.

havi
Fittings & Valves
info@havi.in www.havi.in
A-201, PRIME TRADE CENTER
SATIVALI ROAD, VASAI (E),
PALGHAR - 401208, MAHARASHTRA, INDIA

	SIGN	DATE
DRAWN BY	MBC	04.07.2023
CHECKED BY	VM	04.07.2023
APPROVED BY	SRD	04.07.2023

PART NAME : SGA GAUGE ADAPTOR				CUSTOMER NAME :-			
DWG NO : - SGA-8M-8F-S6-G				PROJECT NAME:-			
MATERIAL : - AS PER BOM				ENQ NO:- EN2324/00354			
REV NO				SO NO :-			
DESCRIPTION				SIGN			
DATE				DATE			
* All dimensions are in mm. Dimensions for reference only and are subject to change without notice				SHEET NO: 01 OF 01			
* This document is the property of Havi Engineering India Pvt. Ltd. No exploitation or release of any text contained herein or relating to this document is permitted in any form without the written consent of HAVI.				REV NO: 00			
				SCALE: NTS			

PATH: -W:\2023-2024\EXPORT\EN2324\00354\GAD