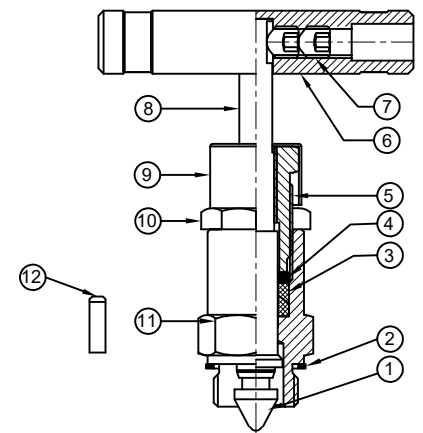


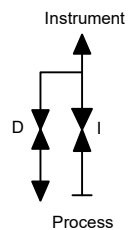
Sr No.	Description	Material	Qty
1	Tip	ASTM A479 Gr. SS316	2
2	Bonnet Packing	ASTM A479 Gr. SS316	2
3	Gland Packing	GFT	2 Set
4	Gland Washer	ASTM A479 Gr. SS316	2
5	Bonnet Pusher	ASTM A479 Gr. SS316	2
6	Handle	SS 316	2
7	Grub Screw	SS 304	4
8	Spindle	ASTM A479 Gr. SS316	2
9	Drain Cap	PVC	2
10	Check Nut	SS304	2
11	Bonnet	ASTM A479 Gr. SS316	2
12	Dowel Pin	SS304	2
13	Body	ASTM A182 Gr. F316	1
14	Drain Plug	ASTM A479 Gr. SS316	1



DETAIL : A
2 Nos.

TECHNICAL DETAILS:

- Process Side: 1/2" NPT-F
- Instrument Side: 1/2" NPT-F
- Drain: 1/4" NPT-F (Plugged)
- Screwed Bonnet Design
- MWP.: 6000 psig @ 100 °F
- Body Test Press (Hydro): 9000 psig
- Seat Test Press (Hydro): 6000 psig
- Seat Test Press (Pneu): 90 psig



NOTE :- UNLESS SPECIFIED ALL DIMENSIONS ARE IN mm

<p>havi Fittings & Valves info@havi.in www.havi.in A-201, PRIME TRADE CENTER SATIVALI ROAD, VASAI (E), PALGHAR - 401208, MAHARASHTRA, INDIA</p>	PART NAME : 2 Valve Manifold Remote Mounting 1/2"NPT-F x 1/2"NPT-F x 1/4" NPTF DRAIN				CUSTOMER NAME:-				
	DWG NO : - SV2A-8F-8F-S6				PROJECT NAME:-				
	MATERIAL :- AS PER BOM				ENQ NO:EN2223/01397				
	REV NO DESCRIPTION SIGN DATE				SO NO: -				
DRAWN BY MBC 08.03.2023				* All dimensions are in mm. Dimensions for reference only and are subject to change without notice				SHEET NO: 01 OF 01	
CHECKED BY VM 08.03.2023				* This document is the property of Havi Engineering India Pvt. Ltd. No exploitation or release of any text contained herein or relating to this document is permitted in any form without the written consent of HAVI.				REV NO: 00	
APPROVED BY SRD 08.03.2023								SCALE: NTS	

PATH:-G:\2022-2023\EXPORT\EN222301397\GAD