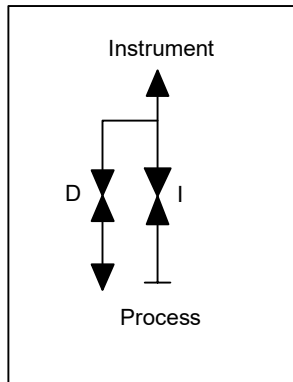
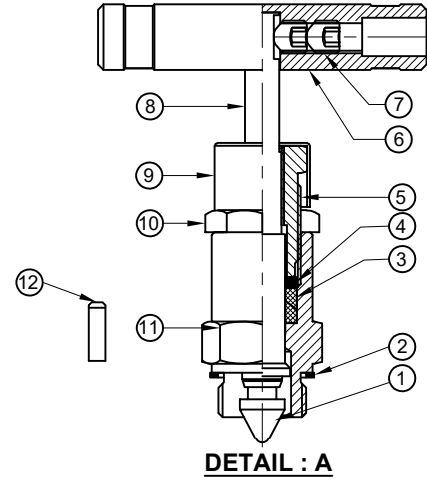
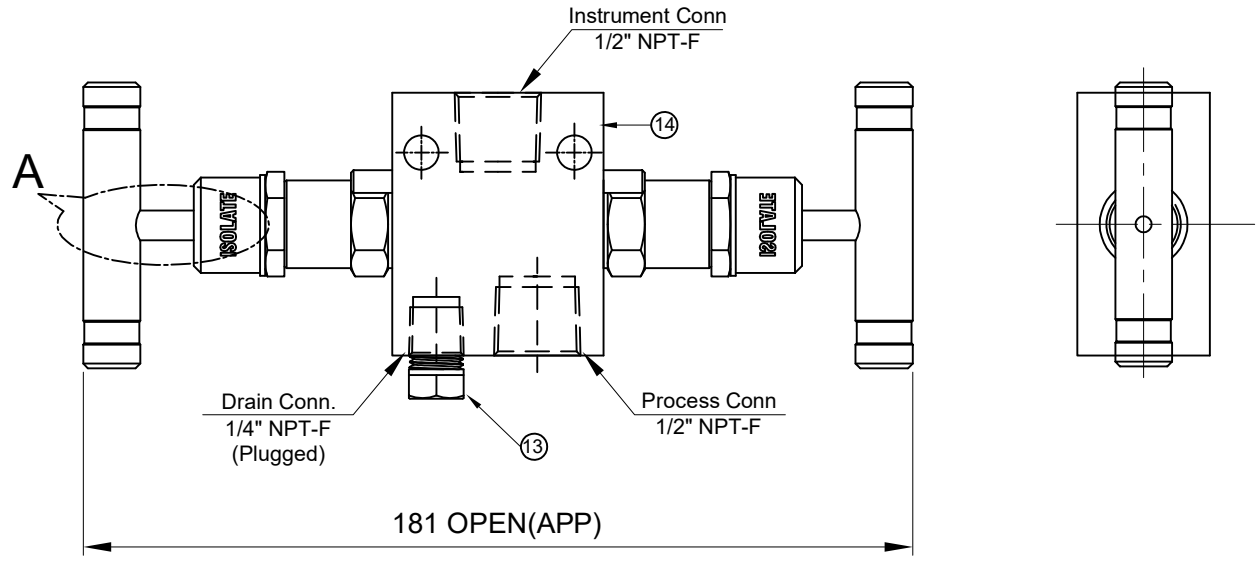



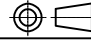
Sr No.	Description	Material	Qty
1	Tip	ASTM A479 Gr. SS316	2
2	Bonnet Packing	ASTM A479 Gr. SS316	2
3	Gland Washer	ASTM A479 Gr. SS316	2
4	Gland Packing	GRAPHITE	2 Set
5	Bonnet Pusher	ASTM A479 Gr. SS316	2
6	Handle	SS 304	2
7	Grub Screw	SS 304	4
8	Spindle	ASTM A479 Gr. SS316	2
9	Drain Cap	PVC	2
10	Check Nut	SS304	2
11	Bonnet	ASTM A479 Gr. SS316	2
12	Dowel Pin	SS304	2
13	Body	ASTM A182 Gr.F316	1
14	Drain Plug	ASTM A479 Gr. SS316	1



TECHNICAL DETAILS:

- Process Side: 1/2" NPT-F
- Instrument Side: 1/2" NPT-F
- Drain: 1/4" NPT-F (Plugged)
- Screwed Bonnet Design

- MWP.: 6000 psig @ 100 °F
- Body Test Press (Hydro): 9000 psig
- Seat Test Press (Hydro): 6600 psig
- Seat Test Press (Pneu): 90 psig
- Temperature Range:- -53 - 649°C

 <p>havi Fittings & Valves info@havi.in www.havi.in A-201, PRIME TRADE CENTER SATI WALI ROAD, VASAI (E) PALGHAR - 401208, MAHARASHTRA, INDIA</p>	PART NAME : 2 Valve Manifold Remote Mounting- 1/2"NPT-F x 1/2"NPT-F X 1/4" NPTF DRAIN				CUSTOMER NAME:-				
	DWG NO : - SV2B-8F-8F-S6-G				PROJECT NAME:-				
	MATERIAL : - AS PER BOM				PO NO:-				
					ENQ NO: -				
				SO NO:				 SHEET NO: 01 OF 01	
DRAWN BY		SB	15.12.2022	* All dimensions are in mm. Dimensions for reference only and are subject to change without notice				REV NO: 00	
CHECKED BY		VK	15.12.2022	* This document is the property of Havi Engineering India Pvt. Ltd. No exploitation or release of any text contained herein or relating to this document is permitted in any form without the written consent of HAVI.				SCALE: NTS	
APPROVED BY		SM	15.12.2022						

PATH: X:\2022-2023\EXPORT\NEW FOLDER (2)