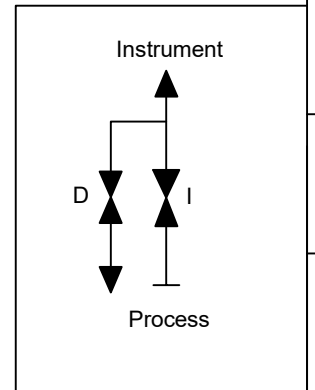
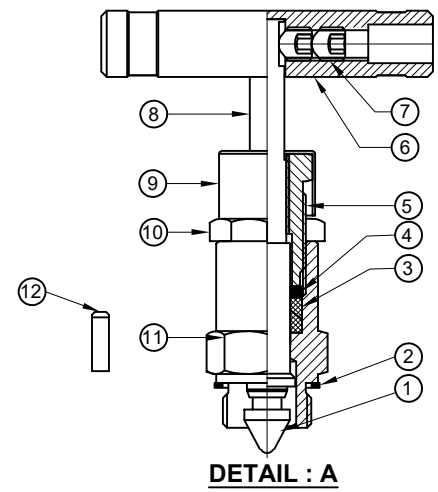
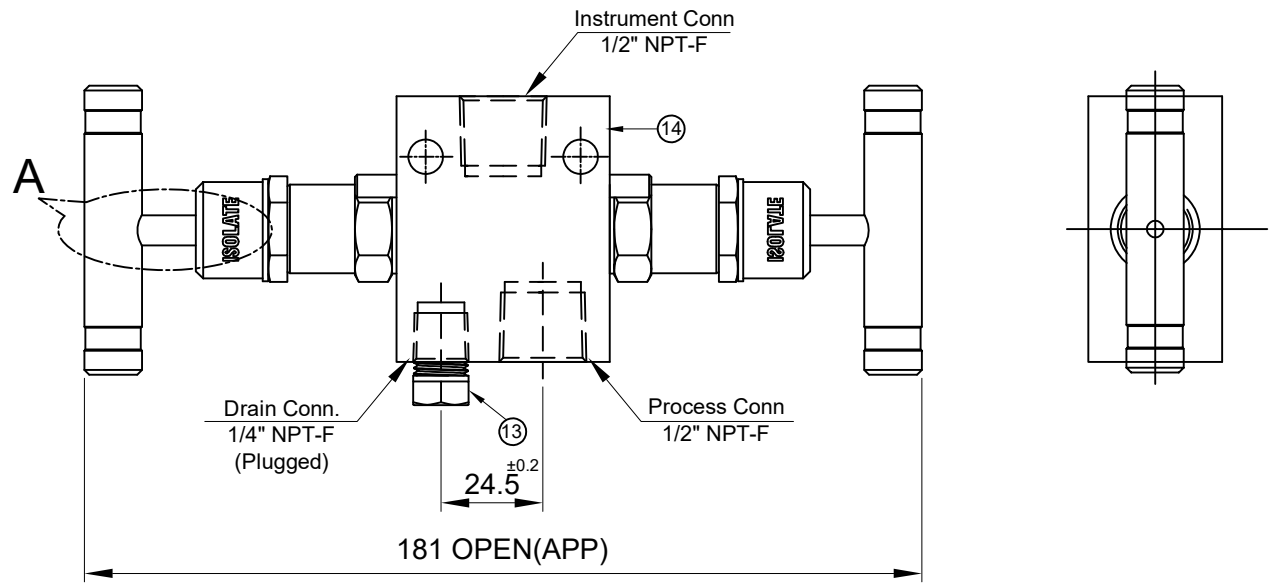


Sr No.	Description	Material	Qty
1	Tip	ASTM A479 Gr. SS316	2
2	Bonnet Packing	ASTM A479 Gr. SS316	2
3	Gland Washer	ASTM A479 Gr. SS316	2
4	Gland Packing	GFT	2 Set
5	Bonnet Pusher	ASTM A479 Gr. SS316	2
6	Handle	SS 304	2
7	Grub Screw	SS 304	4
8	Spindle	ASTM A479 Gr. SS316	2
9	Drain Cap	PVC	2
10	Check Nut	SS304	2
11	Bonnet	ASTM A479 Gr. SS316	2
12	Dowel Pin	SS304	2
13	Body	ASTM A182 Gr.F316	1
14	Drain Plug	ASTM A479 Gr. SS316	1



**TECHNICAL DETAILS:**

- Process Side: 1/2" NPT-F
- Instrument Side: 1/2" NPT-F
- Drain: 1/4" NPT-F (Plugged)
- Screwed Bonnet Design
- MWP.: 6000 psig @ 100 °F
- Body Test Press (Hydro): 9000 psig
- Seat Test Press (Hydro): 6600 psig
- Seat Test Press (Pneu): 90 psig
- Nace MR0175 Applicable

**havi**  
**Fittings & Valves**  
 info@havi.in www.havi.in  
 A-201, PRIME TRADE CENTER  
 SATIVALI ROAD, VASAI (E),  
 PALGHAR - 401208, MAHARASHTRA, INDIA

PART NAME : 2 Valve Manifold Remote Mounting- 1/2"NPT-F x 1/2"NPT-F X 1/4" NPTF DRAIN				CUSTOMER NAME:-			
DWG NO : - SV2B-8F-8F-S6-N				PROJECT NAME:-			
MATERIAL :- AS PER BOM				PO NO:-			
				ENQ NO: EN2223/00884			
				SO NO:			
				SHEET NO: 01 OF 01			
				REV NO: 00			
				SCALE: NTS			

	SIGN	DATE	REV NO	DESCRIPTION	SIGN	DATE
DRAWN BY	VK	01.11.2022				
CHECKED BY	SB	01.11.2022				
APPROVED BY	SM	01.11.2022				

\* All dimensions are in mm. Dimensions for reference only and are subject to change without notice  
 \* This document is the property of Havi Engineering India Pvt. Ltd. No exploitation or release of any text contained herein or relating to this document is permitted in any form without the written consent of HAVI.

PATH: -X12022-2023EXPORTEN222300884