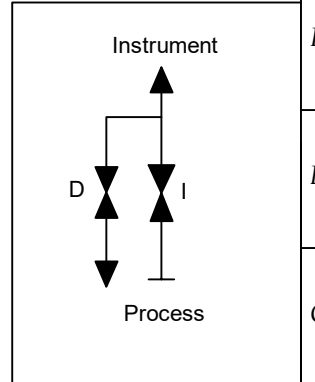
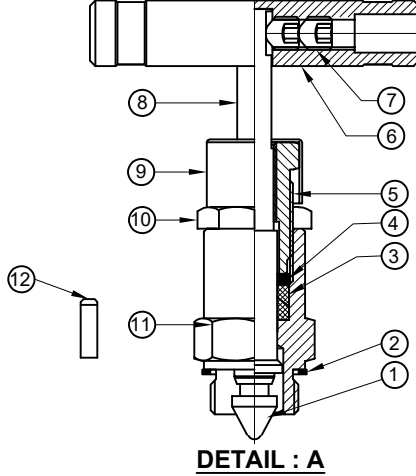
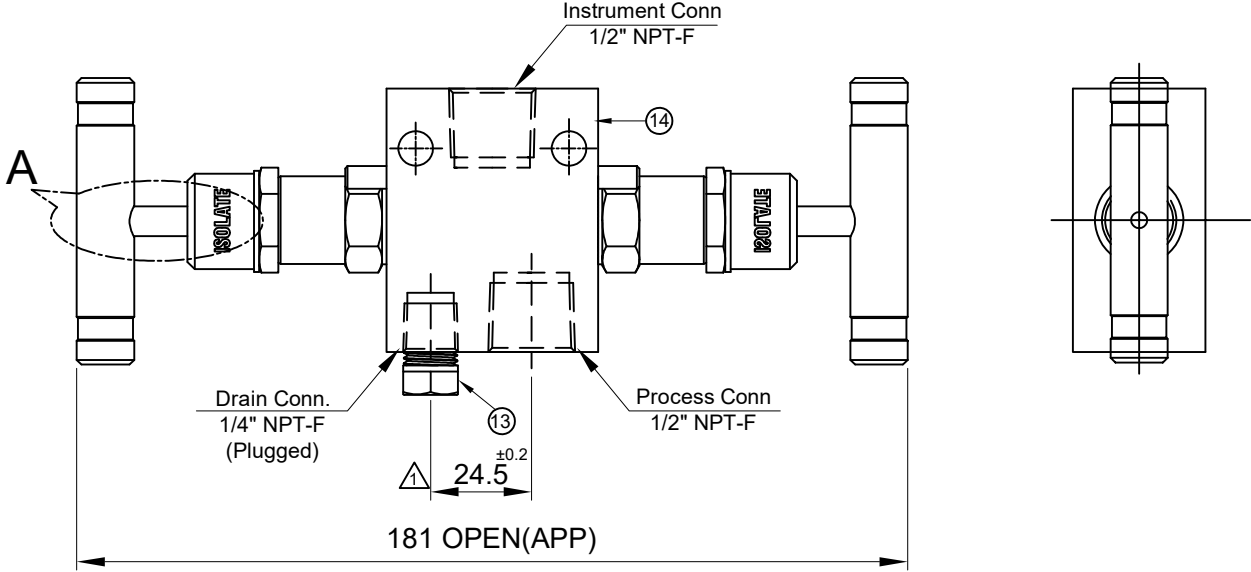


| Sr No. | Description | Material | Qty |
|--------|----------------|---------------------|-------|
| 1 | Tip | ASTM A479 Gr. SS316 | 2 |
| 2 | Bonnet Packing | ASTM A479 Gr. SS316 | 2 |
| 3 | Gland Washer | ASTM A479 Gr. SS316 | 2 |
| 4 | Gland Packing | GFT | 2 Set |
| 5 | Bonnet Pusher | ASTM A479 Gr. SS316 | 2 |
| 6 | Handle | SS 304 | 2 |
| 7 | Grub Screw | SS 304 | 4 |
| 8 | Spindle | ASTM A479 Gr. SS316 | 2 |
| 9 | Drain Cap | PVC | 2 |
| 10 | Check Nut | SS304 | 2 |
| 11 | Bonnet | ASTM A479 Gr. SS316 | 2 |
| 12 | Dowel Pin | SS304 | 2 |
| 13 | Body | ASTM A182 Gr.F316 | 1 |
| 14 | Drain Plug | ASTM A479 Gr. SS316 | 1 |



TECHNICAL DETAILS:

- Process Side: 1/2" NPT-F
- Instrument Side: 1/2" NPT-F
- Drain: 1/4" NPT-F (Plugged)
- Screwed Bonnet Design
- MWP.: 6000 psig @ 100 °F
- Body Test Press (Hydro): 9000 psig
- Seat Test Press (Hydro): 6600 psig
- Seat Test Press (Pneu): 90 psig

havi
Fittings & Valves
info@havi.in www.havi.in
A-201, PRIME TRADE CENTER
SATIVALI ROAD, VASAI (E),
PALGHAR - 401208, MAHARASHTRA, INDIA

| | | |
|-------------|----|------------|
| DRAWN BY | VK | 12.10.2022 |
| CHECKED BY | SB | 12.10.2022 |
| APPROVED BY | SM | 12.10.2022 |

| | | |
|---------------------------------------------------------------------------------------------|---------------------|---------------|
| PART NAME : 2 Valve Manifold Remote Mounting- 1/2"NPT-F x 1/2"NPT-F X 1/4" NPTF DRAIN | | |
| DWG NO : - SV2B-8F-8F-S6 | | |
| MATERIAL : - AS PER BOM | | |
| REV NO | DESCRIPTION | SIGN DATE |
| 1 | ADDED THE DIMENSION | VK 28.10.2022 |

| | | |
|-----------------------|--|----------------|
| CUSTOMER NAME:- | | PROJECT NAME:- |
| PO NO:- | | |
| ENQ NO: EN2223/00815 | | SO NO: |
| SHEET NO: 01 OF 01 | | |
| REV NO: 00 | | SCALE: NTS |
| A | | |

PATH: X:\2022-2023\EXPORT\EN222300815