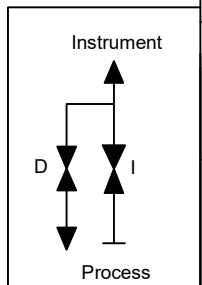
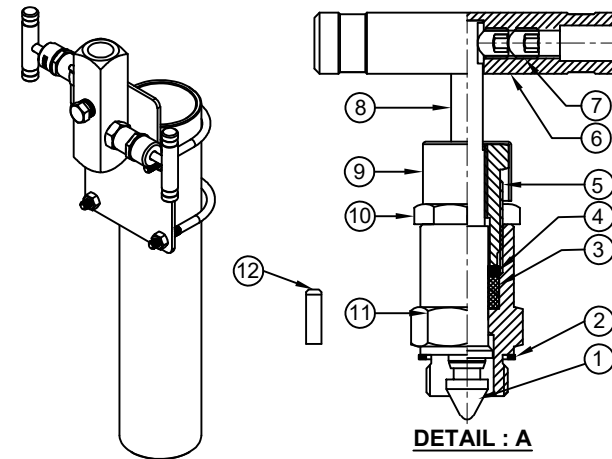
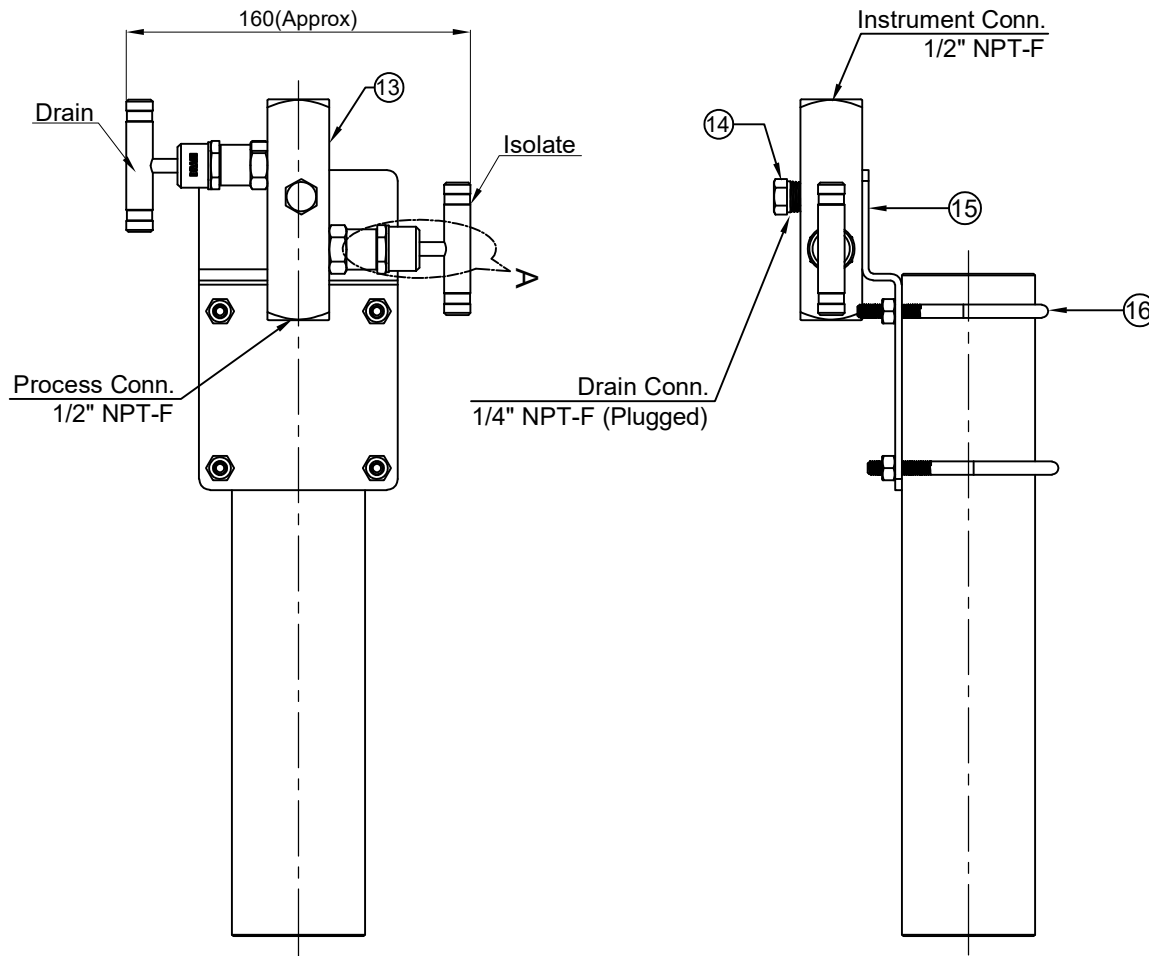



Sr No.	Description	Material	Qty
1	Tip	ASTM B164 UNS N04400	2
2	Bonnet Packing	ASTM B164 UNS N04400	2
3	Gland Packing	GFT	2 Set
4	Gland Washer	ASTM B164 UNS N04400	2
5	Bonnet Pusher	ASTM B164 UNS N04400	2
6	Handle	SS 316	2
7	Grub Screw	SS 304	4
8	Spindle	ASTM B164 UNS N04400	2
9	Drain Cap	PVC	2
10	Check Nut	SS304	2
11	Bonnet	ASTM B164 UNS N04400	2
12	Dowel Pin	SS304	2
13	Body	ASTM B564 UNS N04400	1
14	Drain Plug	ASTM B164 UNS N04400	1
15	Mounting Bracket	SS316	1
16	U-BOLT With Nut & Washer	SS316	2 Set



TECHNICAL DETAILS:

- Process Side: 1/2" NPT-F
- Instrument Side: 1/2" NPT-F
- Drain: 1/4" NPT-F (Plugged)
- Screwed Bonnet Design
- MWP.: 6000 psig @ 100 °F
- Body Test Press (Hydro): 9000 psig
- Seat Test Press (Hydro): 6600 psig
- Seat Test Press (Pneu): 90 psig
- Nace MR0175 Applicable

NOTE :- UNLESS SPECIFIED ALL DIMENSIONS ARE IN 'mm'

 <p>havi Fittings & Valves info@havi.in www.havi.in A-201, PRIME TRADE CENTER SATIVALI ROAD, VASAI (E), PALGHAR - 401208, MAHARASHTRA, INDIA</p>	PART NAME : 2 Valve Manifold Remote Mounting 1/2"NPT-F x 1/2"NPT-F X 1/4" NPTF Drain With Mounting Bracket				CUSTOMER NAME:				
	DWG NO : - SV2E-8F-8F-A400-MB				PROJECT NAME & NO:				
	MATERIAL :- AS PER BOM				ENQ NO:EN2223/00722				
	1 BRACKET DESIGN CHANGED VK 19.09.022				SO NO:				
DRAWN BY: VK		DATE: 14.09.2022		* All dimensions are in mm. Dimensions for reference only and are subject to change without notice				SHEET NO: 01 OF 01	
CHECKED BY: RW		DATE: 14.09.2022		* This document is the property of Havi Engineering India Pvt. Ltd. No exploitation or release of any text contained herein or relating to this document is permitted in any form without the written consent of HAVI.				REV NO: 00	
APPROVED BY: SM		DATE: 14.09.2022						SCALE: NTS	