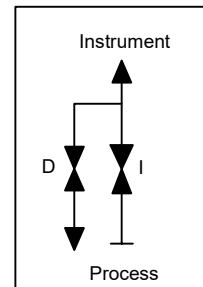
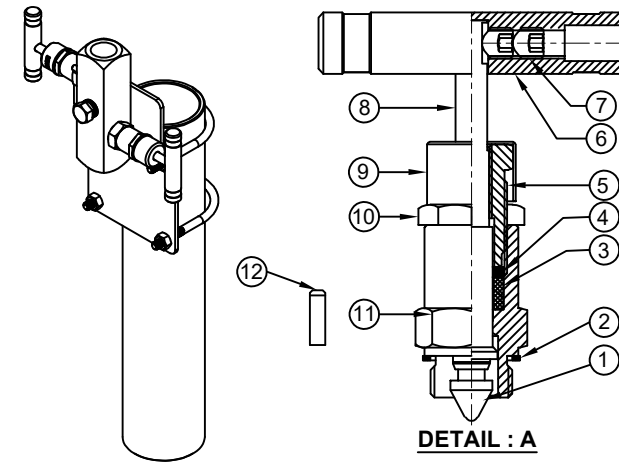


| Sr No. | Description | Material | Qty |
|--------|--------------------------|---------------------|-------|
| 1 | Tip | ASTM A479 Gr. SS316 | 2 |
| 2 | Bonnet Packing | ASTM A479 Gr. SS316 | 2 |
| 3 | Gland Packing | GRAPHITE | 2 Set |
| 4 | Gland Washer | ASTM A479 Gr. SS316 | 2 |
| 5 | Bonnet Pusher | ASTM A479 Gr. SS316 | 2 |
| 6 | Handle | SS 316 | 2 |
| 7 | Grub Screw | SS 304 | 4 |
| 8 | Spindle | ASTM A479 Gr. SS316 | 2 |
| 9 | Drain Cap | PVC | 2 |
| 10 | Check Nut | SS304 | 2 |
| 11 | Bonnet | ASTM A479 Gr. SS316 | 2 |
| 12 | Dowel Pin | SS304 | 2 |
| 13 | Body | ASTM A182 Gr. F316 | 1 |
| 14 | Drain Plug | ASTM A479 Gr. SS316 | 1 |
| 15 | Mounting Bracket | SS316 | 1 |
| 16 | U-BOLT With Nut & Washer | SS316 | 2 Set |



TECHNICAL DETAILS:

- Process Side: 1/2" NPT-F
- Instrument Side: 1/2" NPT-F
- Drain: 1/4" NPT-F (Plugged)
- Screwed Bonnet Design
- MWP.: 6000 psig @ 100 °F
- Body Test Press (Hydro): 9000 psig
- Seat Test Press (Hydro): 6600 psig
- Seat Test Press (Pneu): 90 psig

NOTE :- UNLESS SPECIFIED ALL DIMENSIONS ARE IN 'mm'

| | | | | | |
|--|--|--|--|--------------------|--|
| <p>havi Fittings & Valves info@havi.in www.havi.in A-201, PRIME TRADE CENTER SATIVALI ROAD, VASAI (E), PALGHAR - 401208, MAHARASHTRA, INDIA</p> | | PART NAME : 2 Valve Manifold Remote Mounting 1/2"NPT-F x 1/2"NPT-F X 1/4" NPTF Drain With Mounting Bracket | | CUSTOMER NAME: | |
| | | DWG NO : - SV2E-8F-8F-S6-G-MB | | PROJECT NAME & NO: | |
| MATERIAL :- AS PER BOM | | ENQ NO:EN2223/00722 | | SHEET NO: 01 OF 01 | |
| 1 BRACKET DESIGN CHANGED VK 19.09.2022 | | SO NO: | | REV NO: 00 | |
| DRAWN BY VK 14.09.2022 | | * All dimensions are in mm. Dimensions for reference only and are subject to change without notice | | SCALE: NTS | |
| CHECKED BY RW 14.09.2022 | | * This document is the property of Havi Engineering India Pvt. Ltd. No exploitation or release of any text contained herein or relating to this document is permitted in any form without the written consent of HAVI. | | | |
| APPROVED BY SM 14.09.2022 | | | | | |

PATH: -X:\2022-2023\EXPORT\EN222300722