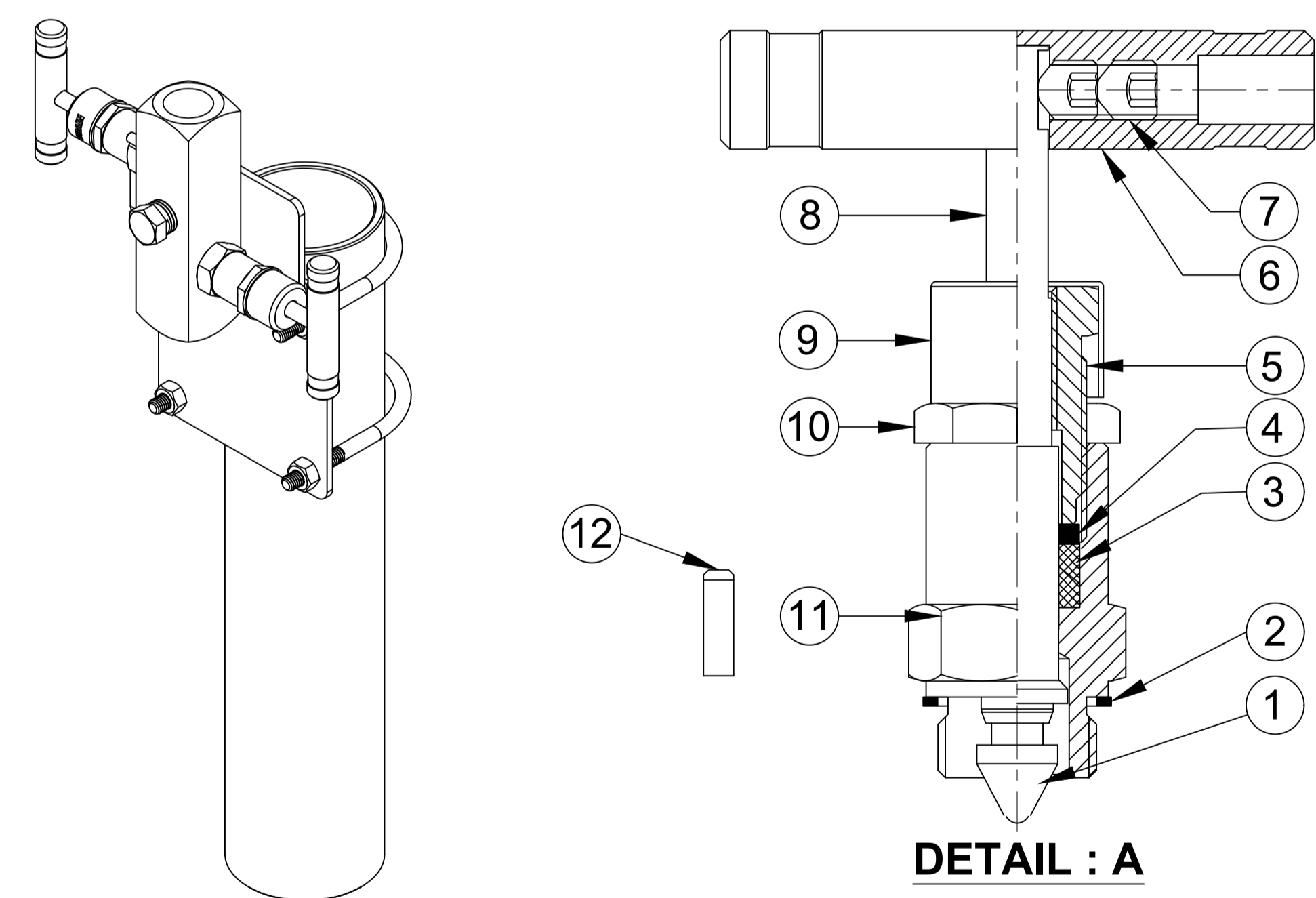


Sr No.	Description	Material	Qty
1	Tip	ASTM A479 Gr. SS316	2
2	Bonnet Packing	ASTM A479 Gr. SS316	2
3	Gland Packing	GFT	2 Set
4	Gland Washer	ASTM A479 Gr. SS316	2
5	Bonnet Pusher	ASTM A479 Gr. SS316	2
6	Handle	SS 316	2
7	Grub Screw	SS 304	4
8	Spindle	ASTM A479 Gr. SS316	2
9	Drain Cap	Aluminium	2
10	Check Nut	SS304	2
11	Bonnet	ASTM A479 Gr. SS316	2
12	Dowel Pin	SS304	2
13	Body	ASTM A182 Gr. F316	1
14	Drain Plug	ASTM A479 Gr. SS316	1
15	Mounting Bracket	SS316	1
16	U-BOLT With Nut & Washer	SS316	2 Set



TECHNICAL DETAILS:

- Process Side: 1/2" NPT-F
- Instrument Side: 1/2" NPT-F
- Drain: 1/4" NPT-F (Plugged)
- Screwed Bonnet Design
- MWP.: 6000 psig @ 100 °F
- Body Test Press (Hydro): 9000 psig
- Seat Test Press (Hydro): 6600 psig
- Seat Test Press (Pneu): 90 psig
- Nace MR0175 Applicable

NOTE :- UNLESS SPECIFIED ALL DIMENSIONS ARE IN 'mm'



PART NAME : 2 Valve Manifold Remote Mounting 1/2"NPT-F x 1/2"NPT-F X 1/4" NPTF Drain With Mounting Bracket

DWG NO : - SV2E-8F-8F-S6-MB
MATERIAL : - AS PER BOM

CUSTOMER NAME: -

PROJECT NAME & NO: -

ENQ NO:EN2324/00162

SO NO:

SHEET NO:
01 OF 01

	SIGN	DATE	REV NO	DESCRIPTION	SIGN	DATE
DRAWN BY	MBC	06.06.2023				
CHECKED BY	VM	06.06.2023				
APPROVED BY	SRD	06.06.2023				

* All dimensions are in mm. Dimensions for reference only and are subject to change without notice
* This document is the property of Havi Engineering India Pvt. Ltd. No exploitation or release of any text contained herein or relating to this document is permitted in any form without the written consent of HAVI.

REV NO: 00
SCALE: NTS

PATH: -G:\2023-2024\EXPORT\EN232400162\GADMOUNTING BRACKET