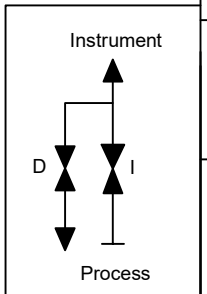
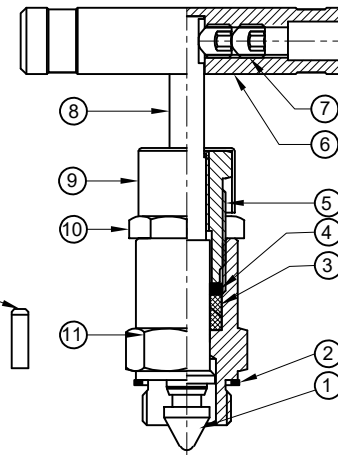


Sr No.	Description	Material	Qty
1	Tip	ASTM A479 Gr. SS316	2
2	Bonnet Packing	ASTM A479 Gr. SS316	2
3	Gland Packing	GFT	2 Set
4	Gland Washer	ASTM A479 Gr. SS316	2
5	Bonnet Pusher	ASTM A479 Gr. SS316	2
6	Handle	SS 304	2
7	Grub Screw	SS 304	4
8	Spindle	ASTM A479 Gr. SS316	2
9	Drain Cap	PVC	2
10	Check Nut	SS 304	2
11	Bonnet	ASTM A479 Gr. SS316	2
12	Dowel Pin	SS 304	2
13	Body	ASTM A182 Gr. F316	1
14	Drain Plug	ASTM A479 Gr. SS316	1



TECHNICAL DETAILS:

- Process Side: 1/2" NPT-F
- Instrument Side: 1/2" NPT-F
- Drain: 1/4" NPT-F (Plugged)
- Screwed Bonnet Design
- Nace MR0175 Applicable
- MWP : 6000 psig @100°F
- Seat Test Press (Hydro): 6600 psig
- Seat Test Press (Pneu): 90 psig
- Body Test Press(Hydro) : 9000 psig
- Temperature Range:-: -54 to 260°C
- Hydrostatic Shell & Seat Test.
- Pneumatic Seat Test.

<p>havi Fittings & Valves info@havi.in www.havi.in A-201, PRIME TRADE CENTER SATIVALI ROAD, VASAI (E), PALGHAR - 401208, MAHARASHTRA, INDIA</p>	PART NAME : 2 Valve Manifold Remote Mounting 1/2"NPT-F x 1/2"NPT-F X 1/4" NPTF DRAIN				CUSTOMER NAME:										
	DWG NO : - SV2E-8F-8F-S6-N				PROJECT NAME & NO:										
	MATERIAL : - AS PER BOM				ENQ NO: EN2223/01101										
SIGN		DATE		REV NO		DESCRIPTION		SIGN		DATE		SO NO:		SHEET NO: 01 OF 01	
DRAWN BY		VK		22.01.2023		* All dimensions are in mm. Dimensions for reference only and are subject to change without notice								REV NO: 00	
CHECKED BY		SB		22.01.2023		* This document is the property of Havi Engineering India Pvt. Ltd. No exploitation or release of any text contained herein or relating to this document is permitted in any form without the written consent of HAVI.								SCALE: NTS	
APPROVED BY		SD		22.01.2023											