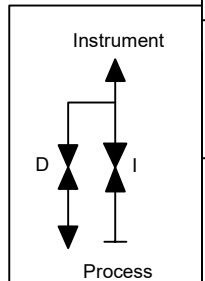
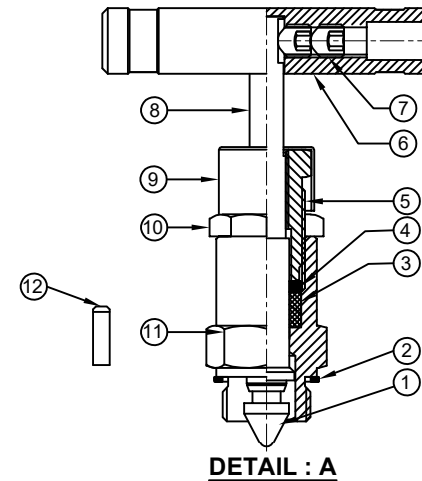
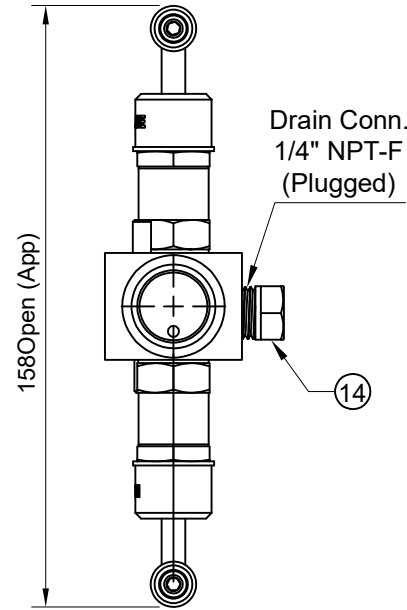
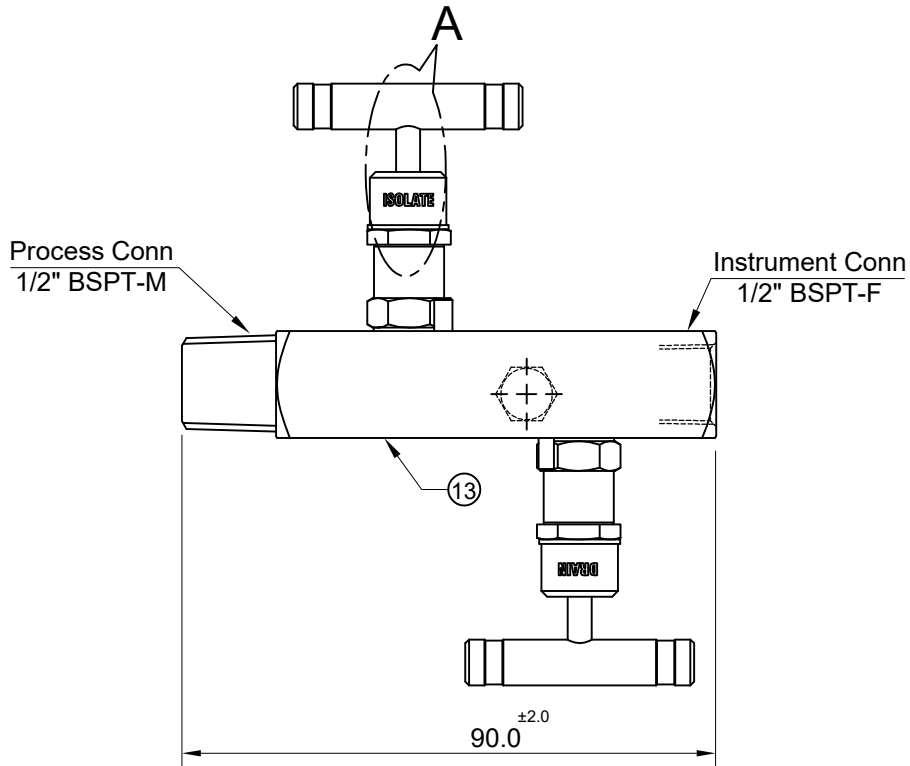


Sr No.	Description	Material	Qty
1	Tip	ASTM A479 Gr. SS316	2
2	Bonnet Packing	ASTM A479 Gr. SS316	2
3	Gland Packing	GRAPHITE	2 Set
4	Gland Washer	ASTM A479 Gr. SS316	2
5	Bonnet Pusher	ASTM A479 Gr. SS316	2
6	Handle	SS316	2
7	Grub Screw	SS304	4
8	Spindle	ASTM A479 Gr. SS316	2
9	Drain Cap	PVC	2
10	Check Nut	SS304	2
11	Bonnet	ASTM A479 Gr. SS316	2
12	Dowel Pin	SS304	2
13	Body	ASTM A182 Gr. F316	1
14	Drain Plug	ASTM A479 Gr. SS316	1



**TECHNICAL DETAILS:**

- Process Side: 1/2" BSPT-M
- Instrument Side: 1/2" BSPT-F
- Drain: 1/4" NPT-F (Plugged)
- Screwed Bonnet Design
- MWP : 6000 psig @100°F
- Seat Test Press (Hydro): 6600 psig
- Seat Test Press (Pneu): 90 psig
- Body Test Press (Hydro) : 9000 psig
- Temperature range: -54°C to 649°C

Note:- Unless Otherwise Specified All Dimensions Are In 'mm'

**havi**  
**Fittings & Valves**  
 info@havi.in www.havi.in  
 A-201, PRIME TRADE CENTER  
 SATIVALI ROAD, VASAI (E),  
 PALGHAR - 401208, MAHARASHTRA, INDIA

REV NO	DESCRIPTION	SIGN	DATE

PART NAME : 2 Valve Manifold Remote Mounting 1/2" BSPT-M x 1/2" BSPT-F X 1/4" NPTF DRAIN

DWG NO : - SV2E-8ITM-8ITF-S6-G  
 MATERIAL :- AS PER BOM

CUSTOMER NAME:

PROJECT NAME & NO:

ENQ NO: EN2223/01277

SO NO:

SHEET NO:  
01 OF 01

REV NO: 00

SCALE: NTS

\* All dimensions are in mm. Dimensions for reference only and are subject to change without notice  
 \* This document is the property of Havi Engineering India Pvt. Ltd. No exploitation or release of any text contained herein or relating to this document is permitted in any form without the written consent of HAVI.