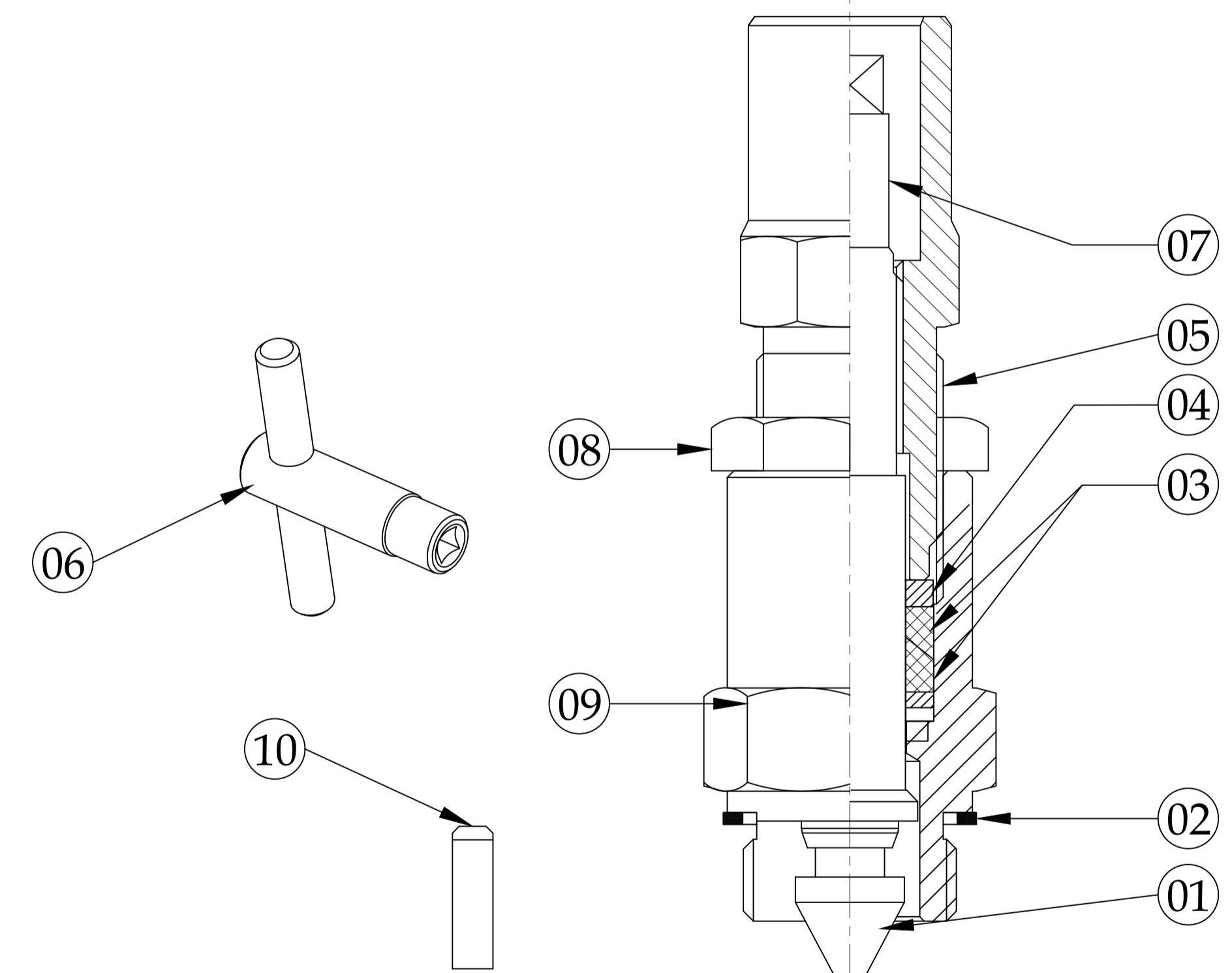
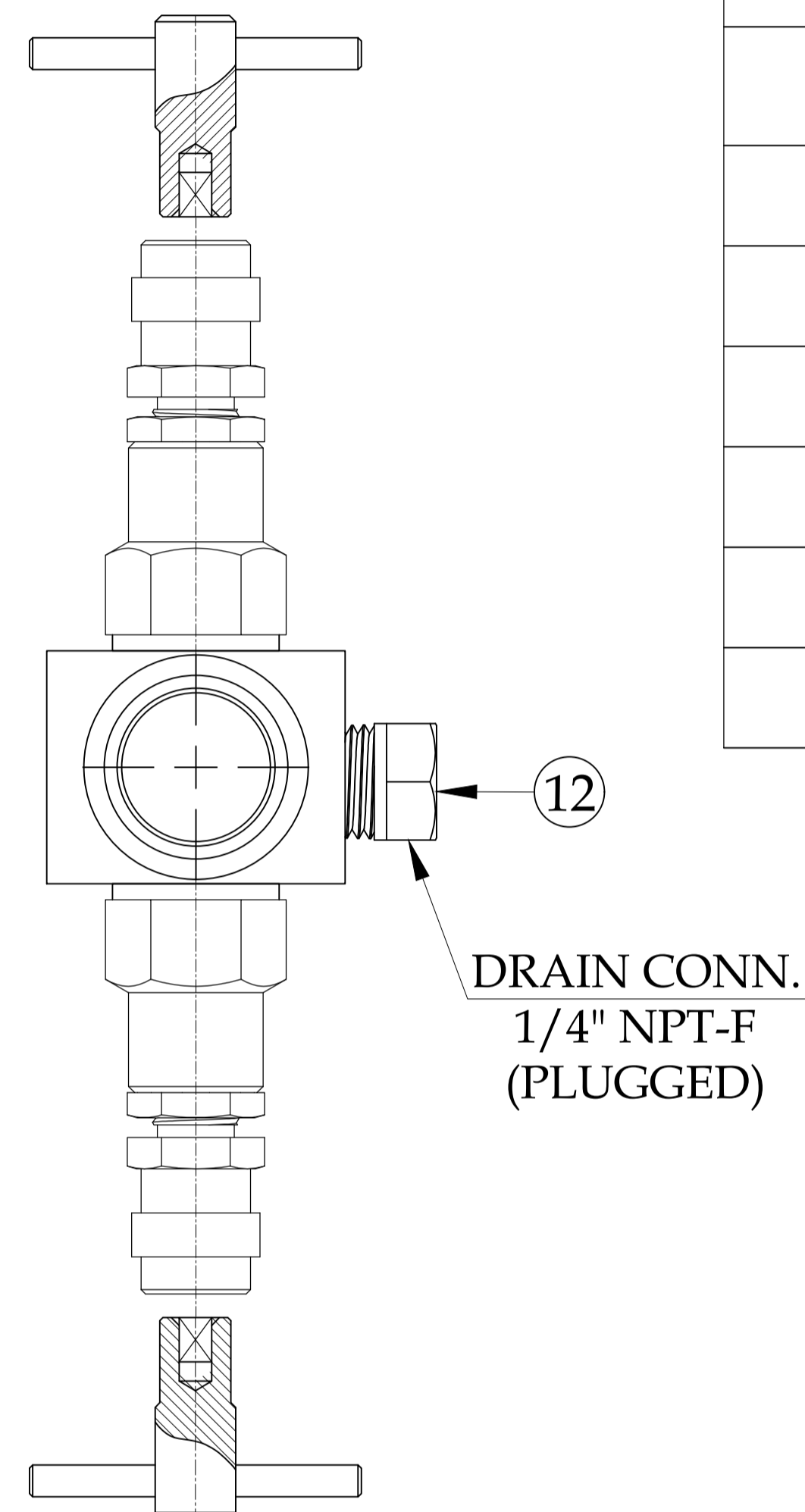
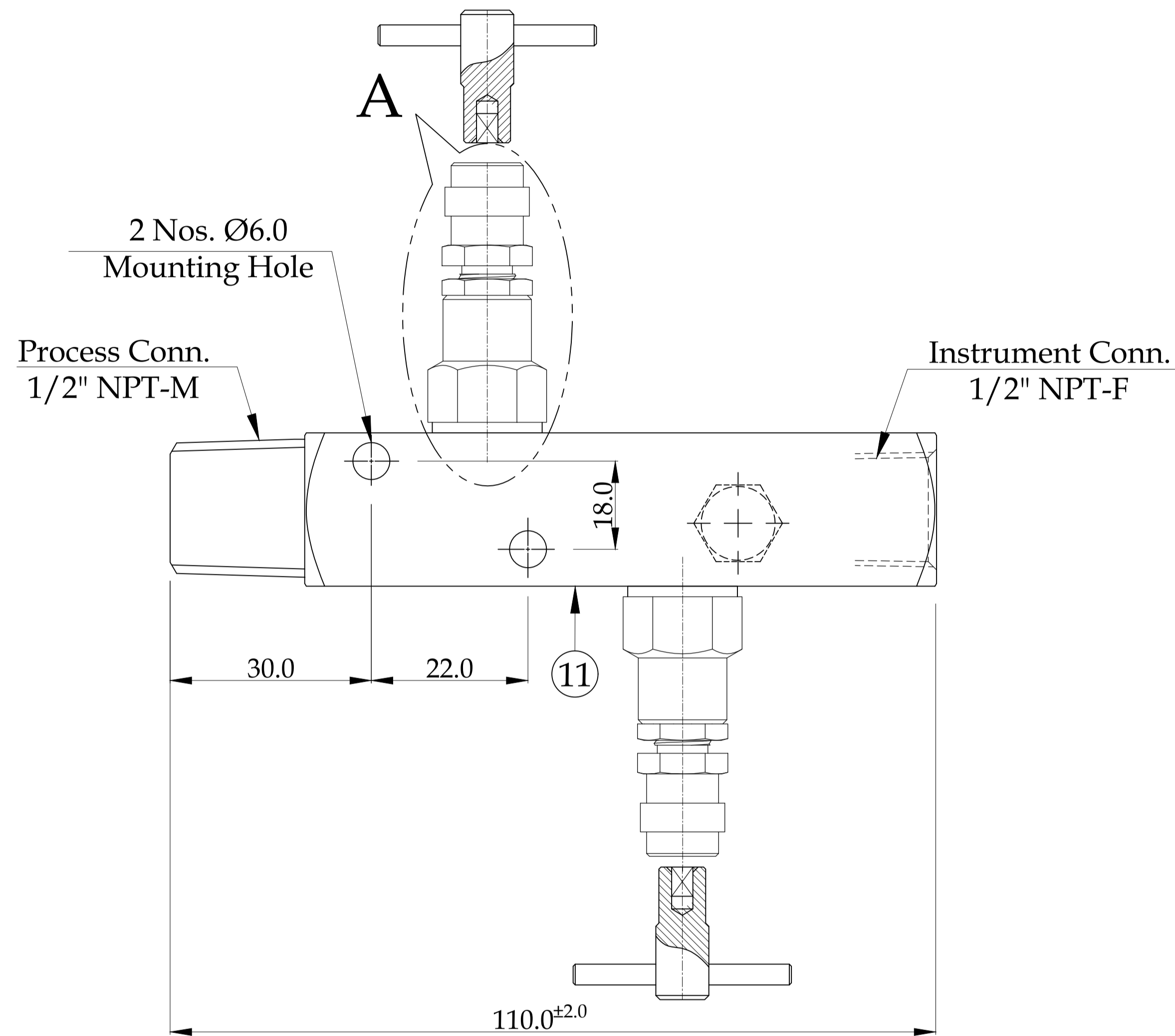
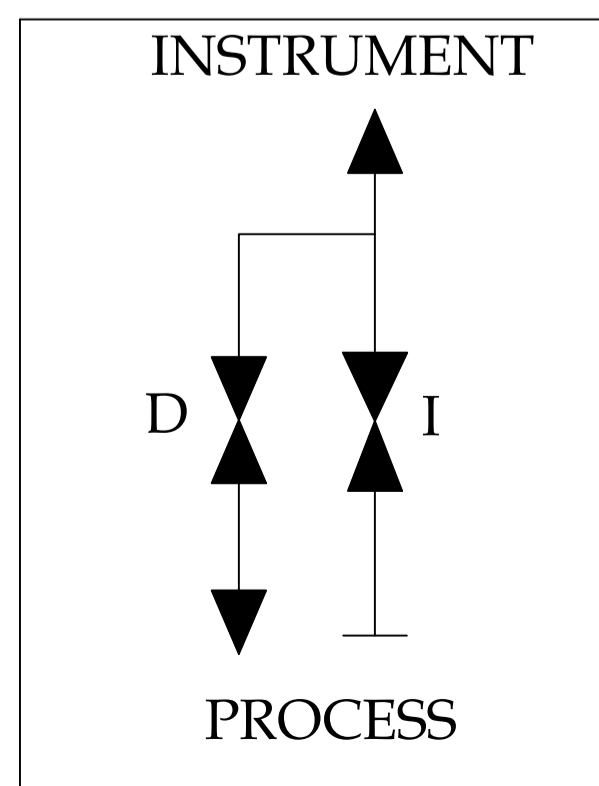


SR No.	DESCRIPTION	MATERIAL	Qty
01	TIP	ASTM A479 Gr. SS316	2
02	BONNET PACKING	ASTM A479 Gr. SS316	2
03	GLAND PACKING	GFT	2 Set
04	GLAND WASHER	ASTM A479 Gr. SS316	2
05	BONNET PUSHER	ASTM A479 Gr. SS316	2
06	ANTI TEMPER KEY	ASTM A479 Gr. SS304	2
07	SPINDLE	ASTM A479 Gr. SS316	2
08	CHECK NUT	ASTM A479 Gr. SS304	2
09	BONNET	ASTM A479 Gr. SS316	2
10	DOWEL PIN	ASTM A479 Gr. SS304	2
11	BODY	ASTM A182 Gr. F316	1
12	DRAIN PLUG	ASTM A479 Gr. SS316	1



TECHNICAL DETAILS:

- PROCESS SIDE: 1/2" NPT-M
- INSTRUMENT SIDE: 1/2" NPT-F
- DRAIN: 1/4" NPT-F (PLUGGED)
- SCREWED BONNET DESIGN
- TEMPERATURE RANGE:- -54°C TO +260°C
- MWP : 6000 PSIG @100°F
- SEAT TEST PRESS (HYDRO): 6600 PSIG
- SEAT TEST PRESS (PNEU): 90 PSIG
- BODY TEST PRESS (HYDRO) : 9000 PSIG
- NACE MR 0175 APPLICABLE



PART NAME : 2 Valve Manifold Remote Mounting 1/2"NPT-M x 1/2"NPT-F X 1/4" NPTF DRAIN With Mounting Hole & Anti Temper Key

DWG NO : - SV2E-8M-8F-AT-MH-S6

MATERIAL : - AS PER BOM

	SIGN	DATE
DRAWN BY	MBC	13.10.2023
CHECKED BY	VSM	13.10.2023
APPROVED BY	SRD	13.10.2023

* All dimensions are in mm. Dimensions for reference only and are subject to change without notice
 * This document is the property of Havi Engineering India Pvt. Ltd. No exploitation or release of any text contained herein or relating to this document is permitted in any form without the written consent of HAVI.

CUSTOMER NAME:

PO NO:

ENQ NO: EN2324/00740

SO NO:

SHEET NO: 01 OF 01

REV NO: 00

SCALE: NTS