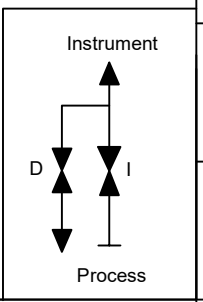
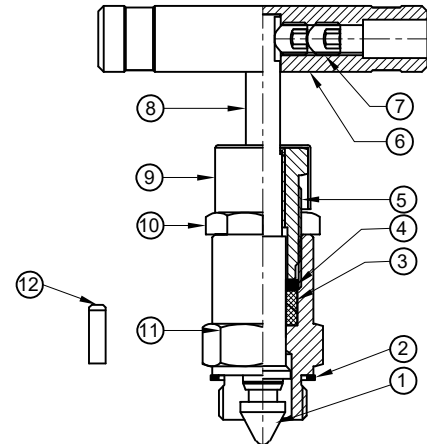



Sr No.	Description	Material	Qty
1	Tip	ASTM A479 Gr.SS316	2
2	Bonnet Packing	ASTM A479 Gr.SS316	2
3	Gland Packing	GFT	2 Set
4	Gland Washer	ASTM A479 Gr.SS316	2
5	Bonnet Pusher	ASTM A479 Gr.SS316	2
6	Handle	SS 316	2
7	Grub Screw	SS 304	4
8	Spindle	ASTM A479 Gr.SS316	2
9	Drain Cap	PVC	2
10	Check Nut	SS304	2
11	Bonnet	ASTM A479 Gr.SS316	2
12	Dowel Pin	SS316	2
13	Body	ASTM A182 Gr.F316	1
14	Drain Plug	ASTM A479 Gr.SS316	1



**TECHNICAL DETAILS:**

- Process Side: M20X1.5P-F
- Instrument Side: M20X1.5P-F
- Drain: M20X1.5P-F (Plugged)
- Screwed Bonnet Design
- MWP : 6000 psig @100°F
- Seat Test Press (Hydro): 6600 psig
- Seat Test Press (Pneu): 90 psig
- Body Test Press (Hydro) : 9000 psig

 <p><b>havi</b> Fittings &amp; Valves info@havi.in www.havi.in A-201, PRIME TRADE CENTER SATIVALI ROAD, VASAI (E), PALGHAR - 401208, MAHARASHTRA, INDIA</p>	PART NAME : 2 Valve Manifold Remote Mounting M20X1.5P-F x M20X1.5P-F X M20X1.5P-F DRAIN				CUSTOMER NAME:						
	DWG NO : - SV2E-M20F-M20F-M20F-S6				PROJECT NAME & NO:						
	MATERIAL : - AS PER BOM				ENQ NO:EN2223/00715						
					SO NO:						
SIGN		DATE		REV NO		DESCRIPTION		SIGN		DATE	
DRAWN BY: VK		04.10.2022								SHEET NO: 01 OF 01	
CHECKED BY: SB		04.10.2022								REV NO: 00	
APPROVED BY: SM		04.10.2022								SCALE: NTS	
<p>* All dimensions are in mm. Dimensions for reference only and are subject to change without notice</p> <p>* This document is the property of Havi Engineering India Pvt. Ltd. No exploitation or release of any text contained herein or relating to this document is permitted in any form without the written consent of HAVI.</p>											

PATH: -T:\2022-2023\EXPORT\EN222300715