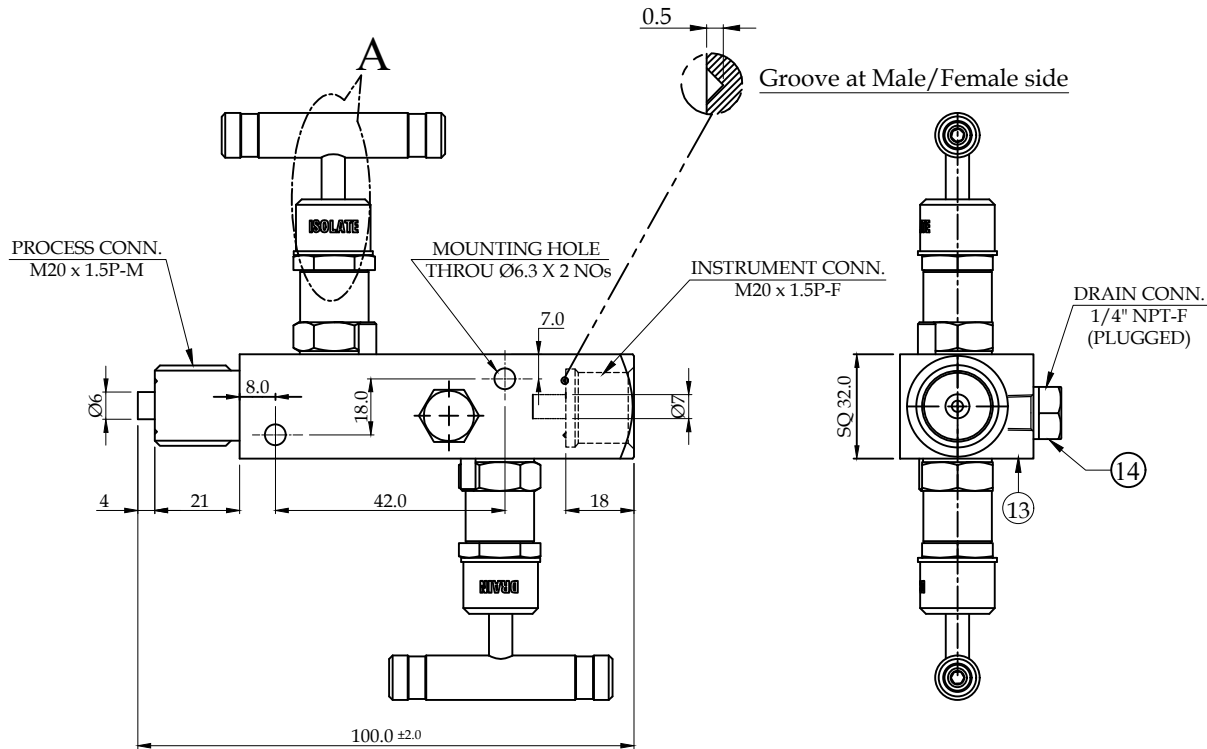
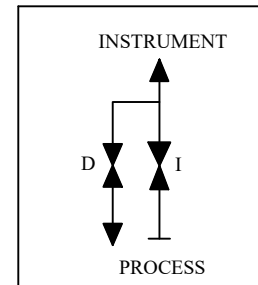
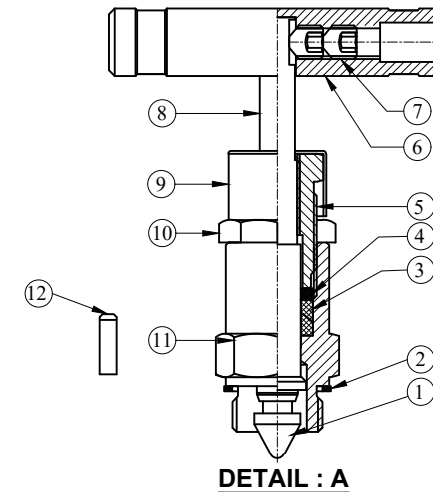


Qty:- 20



Sr No.	Description	Material	Qty
1	Tip	ASTM A479 Gr.SS316	2
2	Bonnet Packing	ASTM A479 Gr.SS316	2
3	Gland Packing	GFT	2 Set
4	Gland Washer	ASTM A479 Gr.SS316	2
5	Bonnet Pusher	ASTM A479 Gr.SS316	2
6	Handle	SS304	2
7	Grub Screw	SS 304	4
8	Spindle	ASTM A479 Gr.SS316	2
9	Drain Cap	ALUMINIUM	2
10	Check Nut	SS 304	2
11	Bonnet	ASTM A479 Gr.SS316	2
12	Dowel Pin	SS304	2
13	Body	ASTM A182 Gr.F316	1
14	Drain Plug	ASTM A479 Gr.SS316	1



TECHNICAL DETAILS:

- PROCESS SIDE: M20 X 1.5P-M
- INSTRUMENT SIDE: M20X1.5P-F
- DRAIN: 1/4" NPT-F (PLUGGED)
- SCREWED BONNET DESIGN
- ORIFICE:- 4MM
- MWP : 6000 PSIG @100°F
- SEAT TEST PRESS (HYDRO): 6600 PSIG
- SEAT TEST PRESS (PNEU): 90 PSIG
- BODY TEST PRESS (HYDRO) : 9000 PSIG
- TEMPERATURE RANGE:- -54°C TO +260°C

havi
Fittings & Valves
info@havi.in www.havi.in
A-201, PRIME TRADE CENTER
SATYAVALLI ROAD, VASAH (E),
PALGHAR -401208, MAHARASHTRA, INDIA

SIGN	DATE	REV NO	DESCRIPTION	SIGN	DATE
DRAWN BY: MBC	16.09.2023				
CHECKED BY: VSM	16.09.2023				
APPROVED BY: SRD	16.09.2023				

PART NAME : 2 Valve Manifold Remote Mounting M20 x 1.5P-M x M20 x 1.5P-F With Mounting Hole		CUSTOMER NAME:	
DWG NO : - SV2E-M20M-M20F-S6		PROJECT NAME & NO:	
MATERIAL : - AS PER BOM		ENQ NO:EN2324/00407	
REV NO		SO NO:	
DESCRIPTION		SHEET NO: 01 OF 01	
SIGN		REV NO: 00	
DATE		SCALE: NTS	

PATH: -J:\2023-2024\EXPORT\EN232400407\GAD\UPDATE GAD ON 16.09.2023