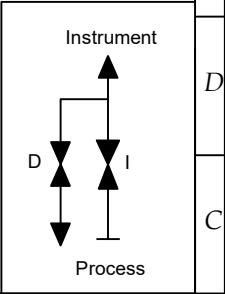
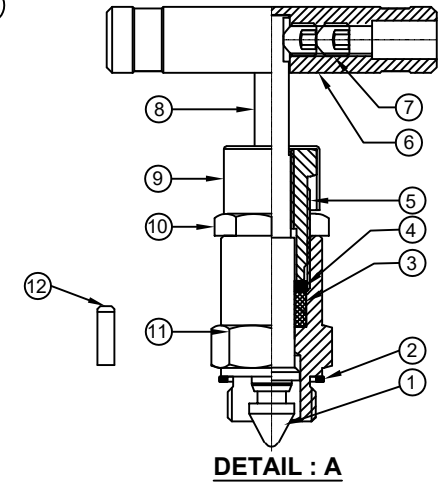


Sr No.	Description	Material	Qty
1	Tip	ASTM B462 UNS N10276	2
2	Bonnet Packing	ASTM B462 UNS N10276	2
3	Gland Packing	GFT	2 Set
4	Gland Washer	ASTM B462 UNS N10276	2
5	Bonnet Pusher	ASTM A479 Gr.SS316	2
6	Handle	SS 316	2
7	Grub Screw	SS 304	4
8	Spindle	ASTM B462 UNS N10276	2
9	Drain Cap	PVC	2
10	Check Nut	SS316	2
11	Bonnet	ASTM B462 UNS N10276	2
12	Dowel Pin	SS304	2
13	Body	ASTM B564 UNS N10276	1
14	Drain Plug	ASTM B462 UNS N10276	1
15	Swivel Nut	ASTM B462 UNS N10276	1



TECHNICAL DETAILS:

- Process Side: M20X1.5P-M
- Instrument Side: M20X1.5P-F with Swivel Nut
- Drain: 1/4" NPT-F (Plugged)
- Screwed Bonnet Design
- Orifice: 4mm
- MWP : 6000 psig @100°F
- Seat Test Press (Hydro): 6600 psig
- Seat Test Press (Pneu): 90 psig
- Body Test Press (Hydro) : 9000 psig
- Temperature range: -54°C to 260°C

havi
Fittings & Valves
info@havi.in www.havi.in
A-201, PRIME TRADE CENTER
SATIVALI ROAD, VASAI (E),
PALGHAR - 401208, MAHARASHTRA, INDIA

PART NAME :
2 Valve Manifold Remote Mounting M20X1.5P-M x M20 X 1.5P-F
X 1/4"NPTF DRAIN; With Swivel Nut
DWG NO : - SV2E-M20M-M20FSN-C276
MATERIAL :- AS PER BOM

CUSTOMER NAME:
-
PROJECT NAME & NO:
-
ENQ NO: EN2223/01362
SO NO:

REV NO	DESCRIPTION	SIGN	DATE

*** All dimensions are in mm. Dimensions for reference only and are subject to change without notice**
*** This document is the property of Havi Engineering India Pvt. Ltd. No exploitation or release of any text contained herein or relating to this document is permitted in any form without the written consent of HAVI.**

SHEET NO:
01 OF 01
REV NO: 00
SCALE: NTS

PATH: X:\2022-2023\EXPORT\EN222301362\GAD