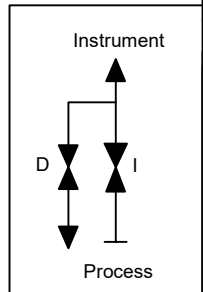
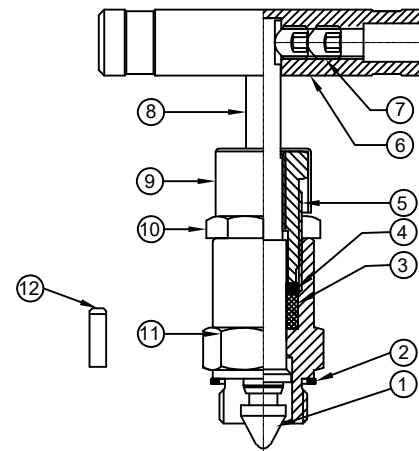
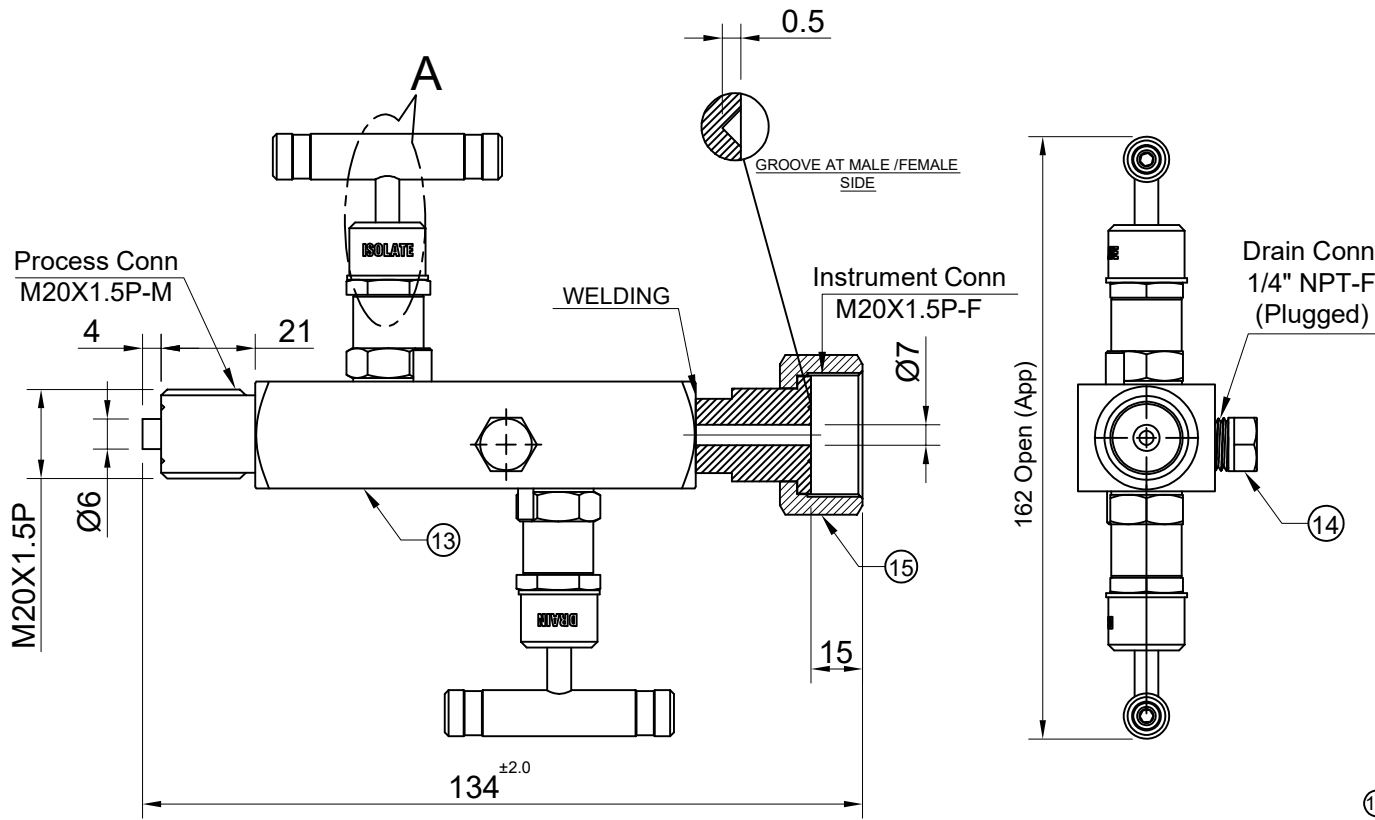



Sr No.	Description	Material	Qty
1	Tip	ASTM A479 Gr.SS316	2
2	Bonnet Packing	ASTM A479 Gr.SS316	2
3	Gland Packing	GRAPHITE	2 Set
4	Gland Washer	ASTM A479 Gr.SS316	2
5	Bonnet Pusher	ASTM A479 Gr.SS316	2
6	Handle	SS 316	2
7	Grub Screw	SS 304	4
8	Spindle	ASTM A479 Gr.SS316	2
9	Drain Cap	PVC	2
10	Check Nut	SS304	2
11	Bonnet	ASTM A479 Gr.SS316	2
12	Dowel Pin	SS316	2
13	Body	ASTM A182 Gr.F316	1
14	Drain Plug	ASTM A479 Gr.SS316	1
15	Swivel Nut	ASTM A479 Gr.SS316	1



TECHNICAL DETAILS:

- Process Side: M20X1.5P-M
- Instrument Side: M20X1.5P-F with Swivel Nut
- Drain: 1/4" NPT-F (Plugged)
- Screwed Bonnet Design
- Orifice: 4mm
- MWP : 6000 psig @100°F
- Seat Test Press (Hydro): 6600 psig
- Seat Test Press (Pneu): 90 psig
- Body Test Press (Hydro) : 9000 psig
- Temperature range: -54°C to 649°C

 Fillings & Valves info@havi.in www.havi.in A-201, PRIME TRADE CENTER SATIVALI ROAD, VASAI (E), PALGHAR - 401208, MAHARASHTRA, INDIA	PART NAME : 2 Valve Manifold Remote Mounting M20X1.5P-M x M20 X 1.5P-F X 1/4"NPTF DRAIN; With Swivel Nut DWG NO : - SV2E-M20M-M20FSN-S6-G MATERIAL :- AS PER BOM		CUSTOMER NAME: -																
	REVISIONS: <table border="1"> <thead> <tr> <th>REV NO</th> <th>DESCRIPTION</th> <th>SIGN</th> <th>DATE</th> </tr> </thead> <tbody> <tr> <td> </td> <td> </td> <td> </td> <td> </td> </tr> <tr> <td> </td> <td> </td> <td> </td> <td> </td> </tr> <tr> <td> </td> <td> </td> <td> </td> <td> </td> </tr> </tbody> </table>		REV NO	DESCRIPTION	SIGN	DATE													PROJECT NAME & NO: -
REV NO	DESCRIPTION	SIGN	DATE																
APPROVED BY: SD 07.02.2023 CHECKED BY: SB 07.02.2023 DRAWN BY: VK 07.02.2023		ENQ NO: EN2223/01277 SO NO:		SHEET NO: 01 OF 01 REV NO: 00 SCALE: NTS															
* All dimensions are in mm. Dimensions for reference only and are subject to change without notice * This document is the property of Havi Engineering India Pvt. Ltd. No exploitation or release of any text contained herein or relating to this document is permitted in any form without the written consent of HAVI.																			

PATH: -X:\2022-2023\EXPORT\EN22301277\GAD