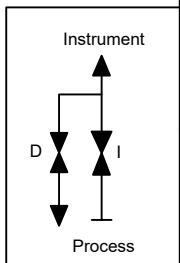
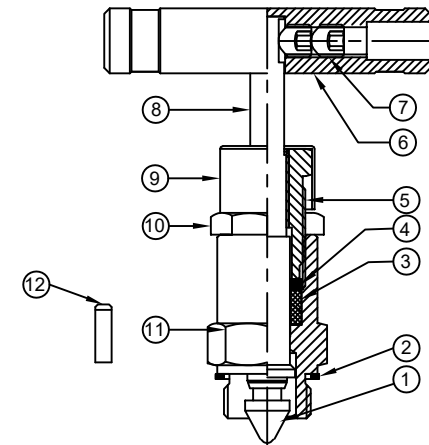
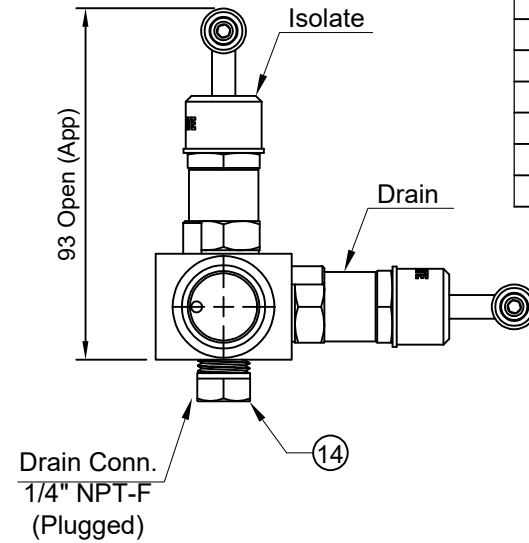
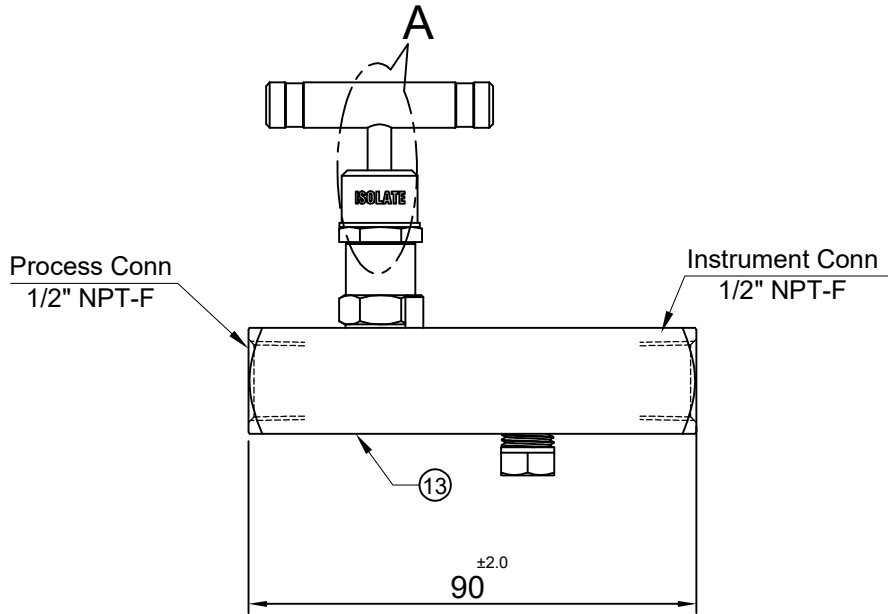


Sr No.	Description	Material	Qty
1	TIP	ASTM A479 Gr. SS316L	2
2	BONNET PACKING	ASTM A479 Gr. SS316L	2
3	GLAND PACKING	GRAPHITE	2 Set
4	GLAND WASHER	ASTM A479 Gr. SS316L	2
5	BONNET PUSHER	ASTM A479 Gr. SS316L	2
6	HANDLE	SS316	2
7	GRUB SCREW	SS304	4
8	SPINDLE	ASTM A479 Gr. SS316L	2
9	DUST CAP	PVC	2
10	CHECK NUT	SS316	2
11	BONNET	ASTM A479 Gr. SS316L	2
12	DOWEL PIN	SS304	2
13	BODY	ASTM A182 Gr.F316L	1
14	MALE PLUG	ASTM A479 Gr. SS316L	1



TECHNICAL DETAILS:

- Process Side: 1/2" NPT-F
- Instrument Side: 1/2" NPT-F
- Drain: 1/4" NPT-F (Plugged)
- Screwed Bonnet Design
- MWP : 6000 psig @100°F
- Seat Test Press (Hydro): 6600 psig
- Seat Test Press (Pneu): 90 psig
- Body Test Press (Hydro) : 9000 psig

NOTE :- UNLESS OTHERWISE SPECIFIED ALL DIMENSIONS ARE IN 'mm'

<p>havi Fittings & Valves info@havi.in www.havi.in A-201, PRIME TRADE CENTER SATIVALI ROAD, VASAI (E), PALGHAR - 401208, MAHARASHTRA, INDIA</p>	PART NAME : 2 Valve Manifold 1/2"NPT-F x 1/2"NPT-F X 1/4" NPTF DRAIN				CUSTOMER NAME: -										
	DWG NO : - SV2E2-8F-8F-S6L-G				PROJECT NAME & NO: -										
	MATERIAL : - AS PER BOM				ENQ NO:- EN2223/01357										
SIGN		DATE		REV NO		DESCRIPTION		SIGN		DATE		SO NO: -		SHEET NO: 01 OF 01	
DRAWN BY		VK		17.02.2023		* All dimensions are in mm. Dimensions for reference only and are subject to change without notice								REV NO: 00	
CHECKED BY		SB		17.02.2023		* This document is the property of Havi Engineering India Pvt. Ltd. No exploitation or release of any text contained herein or relating to this document is permitted in any form without the written consent of HAVI.								SCALE: NTS	
APPROVED BY		SD		17.02.2023											

PATH: -T:\2022-2023\EXPORT\EN222301357\GAD