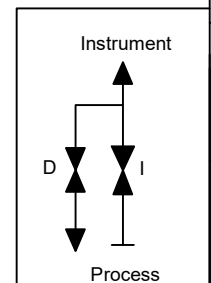
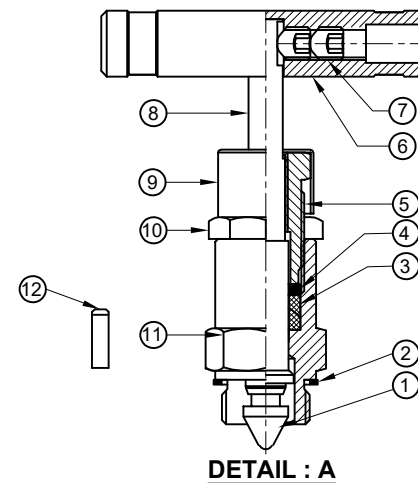


Sr No.	Description	Material	Qty
1	Tip	ASTM A479 Gr.SS316	2
2	Bonnet Packing	ASTM A479 Gr.SS316	2
3	Gland Packing	GFT	2 Set
4	Gland Washer	ASTM A479 Gr.SS316	2
5	Bonnet Pusher	ASTM A479 Gr.SS316	2
6	Handle	SS 316	2
7	Grub Screw	SS 304	4
8	Spindle	ASTM A479 Gr.SS316	2
9	Drain Cap	PVC	2
10	Check Nut	SS304	2
11	Bonnet	ASTM A479 Gr.SS316	2
12	Dowel Pin	SS316	2
13	Body	ASTM A182 Gr.F316	1
14	Drain Plug	ASTM A479 Gr.SS316	1



**TECHNICAL DETAILS:**

- Process Side: 1/2" NPT-F
- Instrument Side: 1/2" NPT-M
- Drain: 1/4" NPT-F (Plugged)
- Screwed Bonnet Design
- MWP : 10000 psig @100°F
- Seat Test Press (Hydro): 11000 psig
- Seat Test Press (Pneu): 90 psig
- Body Test Press(Hydro) : 15000 psig

<p><b>havi</b> Fittings &amp; Valves info@havi.in www.havi.in A-201, PRIME TRADE CENTER SATIVALI ROAD, VASAI (E), PALGHAR - 401208, MAHARASHTRA, INDIA</p>		PART NAME :		CUSTOMER NAME:	
		2 Valve Manifold Remote Mounting 1/2" NPT-F x 1/2" NPT-M		-	
DRAWN BY		CHECKED BY		APPROVED BY	
VK		SB		SM	
SIGN		DATE		REV NO	
DATE		DATE		DATE	
10.10.2022		10.10.2022		10.10.2022	

DWG NO : - SV2EH-8F-8M-S6		PROJECT NAME & NO:	
MATERIAL :- AS PER BOM		-	
ENQ NO:EN2223/00589		SHEET NO: 01 OF 01	
SO NO:		REV NO: 00	
* All dimensions are in mm. Dimensions for reference only and are subject to change without notice		SCALE: NTS	
* This document is the property of Havi Engineering India Pvt. Ltd. No exploitation or release of any text contained herein or relating to this document is permitted in any form without the written consent of HAVI.			

PATH:-T:12022-2023EXPORT/EN2223/00589