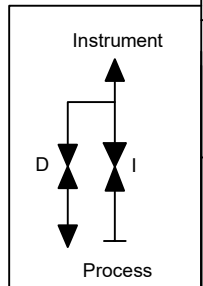
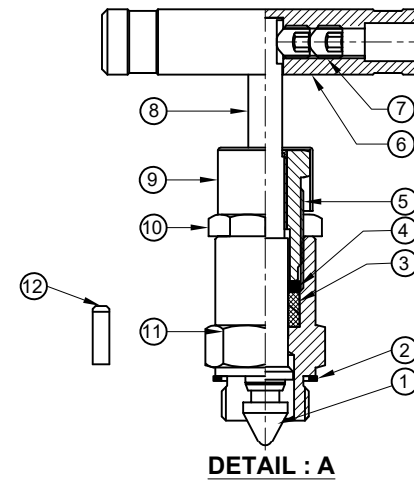
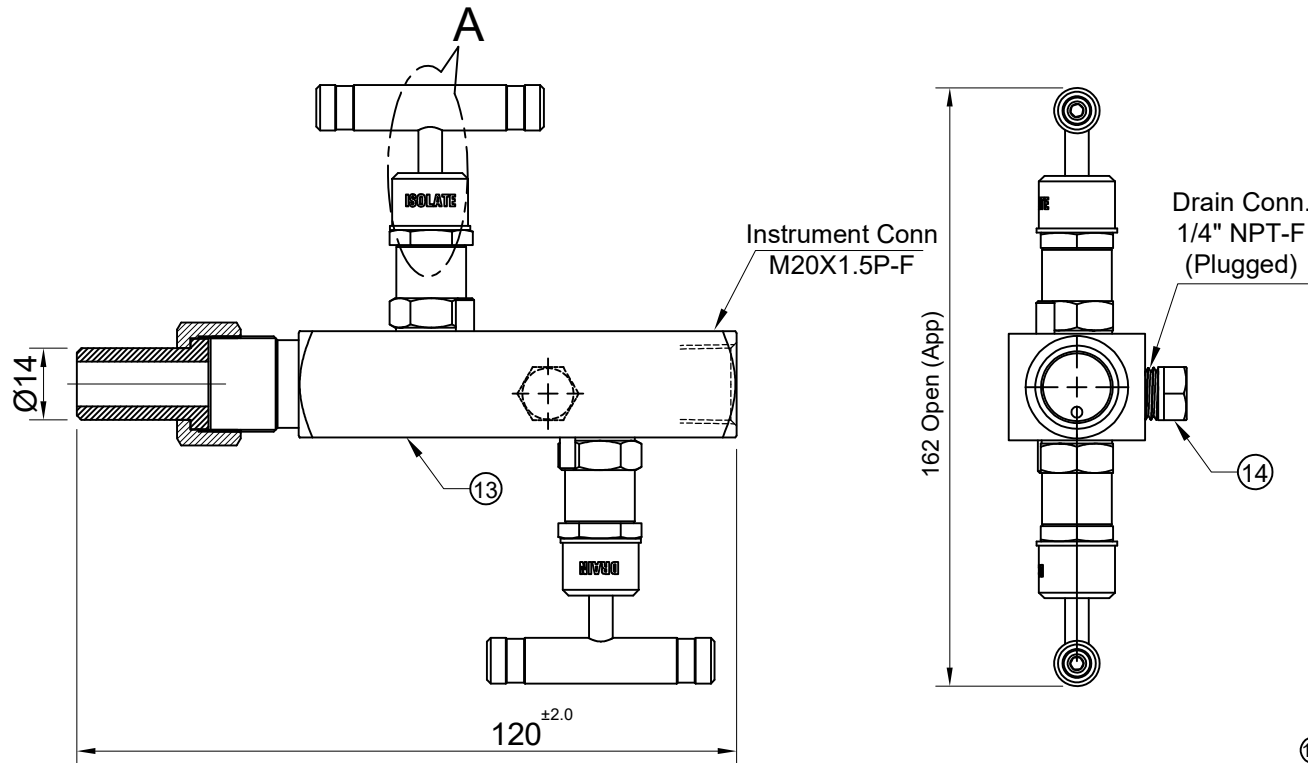



Sr No.	Description	Material	Qty
1	Tip	ASTM A479 Gr.SS316	2
2	Bonnet Packing	ASTM A479 Gr.SS316	2
3	Gland Packing	GFT	2 Set
4	Gland Washer	ASTM A479 Gr.SS316	2
5	Bonnet Pusher	ASTM A479 Gr.SS316	2
6	Handle	SS 316	2
7	Grub Screw	SS 304	4
8	Spindle	ASTM A479 Gr.SS316	2
9	Drain Cap	PVC	2
10	Check Nut	SS304	2
11	Bonnet	ASTM A479 Gr.SS316	2
12	Dowel Pin	SS316	2
13	Body	ASTM A182 Gr.F316	1
14	Drain Plug	ASTM A479 Gr.SS316	1



TECHNICAL DETAILS:

- Process Side: 14mm Weld Tube
- Instrument Side: M20X1.5P-F
- Drain: 1/4" NPT-F (Plugged)
- Screwed Bonnet Design
- MWP : 10000 psig @100°F
- Seat Test Press (Hydro): 11000 psig
- Seat Test Press (Pneu): 90 psig
- Body Test Press (Hydro) : 15000 psig

 <p>havi Fittings & Valves info@havi.in www.havi.in A-201, PRIME TRADE CENTER SATIVALI ROAD, VASAI (E), PALGHAR - 401208, MAHARASHTRA, INDIA</p>	PART NAME : 2 Valve Manifold Remote Mounting 14mm Weld Tube x M20 X 1.5P-F X 1/4"NPTF DRAIN DWG NO : - SV2EH-M20M-M20F-14MTBW-S6 MATERIAL : - AS PER BOM		CUSTOMER NAME: -																									
	PROJECT NAME & NO: -		ENQ NO: EN2223/00589																									
<table border="1"> <thead> <tr> <th>SIGN</th> <th>DATE</th> <th>REV NO</th> <th>DESCRIPTION</th> <th>SIGN</th> <th>DATE</th> </tr> </thead> <tbody> <tr> <td>DRAWN BY</td> <td>VK</td> <td>10.10.2022</td> <td></td> <td></td> <td></td> </tr> <tr> <td>CHECKED BY</td> <td>SB</td> <td>10.10.2022</td> <td></td> <td></td> <td></td> </tr> <tr> <td>APPROVED BY</td> <td>SM</td> <td>10.10.2022</td> <td></td> <td></td> <td></td> </tr> </tbody> </table>		SIGN	DATE	REV NO	DESCRIPTION	SIGN	DATE	DRAWN BY	VK	10.10.2022				CHECKED BY	SB	10.10.2022				APPROVED BY	SM	10.10.2022				SO NO:		SHEET NO: 01 OF 01 REV NO: 00 SCALE: NTS
SIGN	DATE	REV NO	DESCRIPTION	SIGN	DATE																							
DRAWN BY	VK	10.10.2022																										
CHECKED BY	SB	10.10.2022																										
APPROVED BY	SM	10.10.2022																										
<p>* All dimensions are in mm. Dimensions for reference only and are subject to change without notice * This document is the property of Havi Engineering India Pvt. Ltd. No exploitation or release of any text contained herein or relating to this document is permitted in any form without the written consent of HAVI.</p>																												

PATH: T:\2022-2023\EXPORT\EN222300589