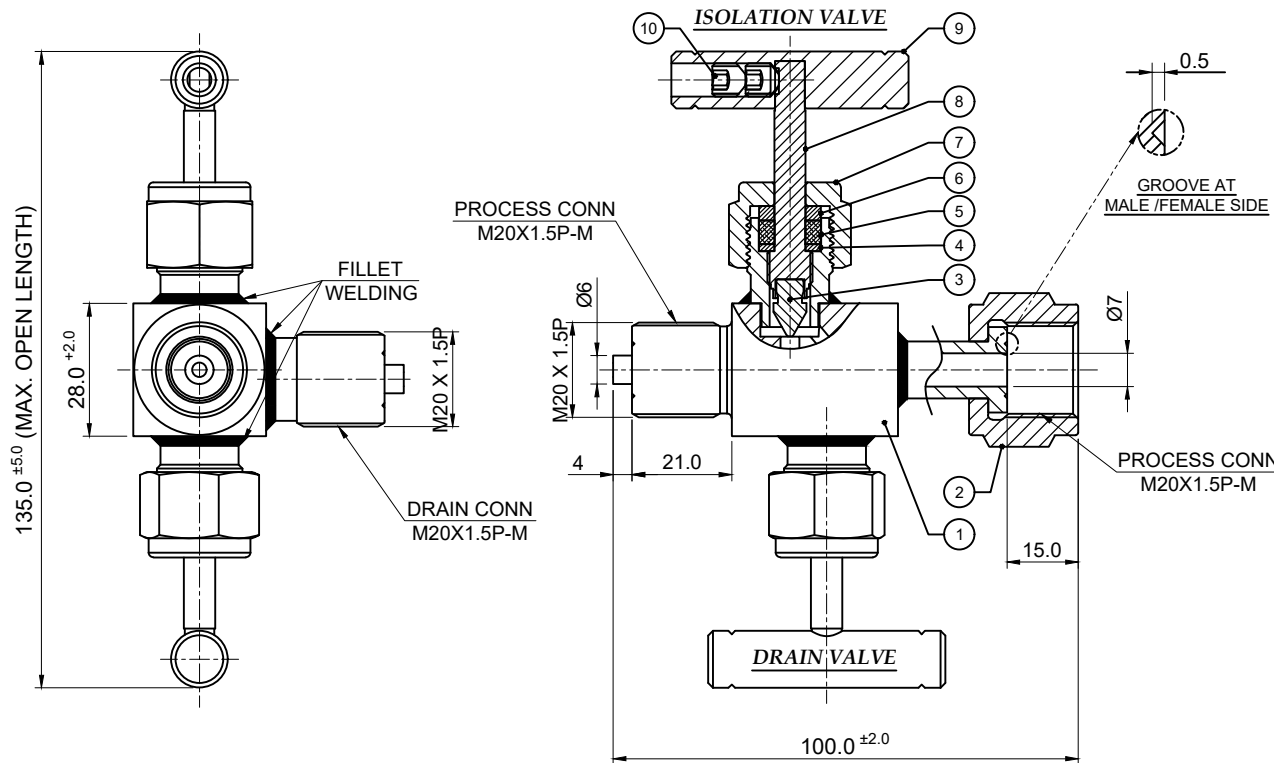
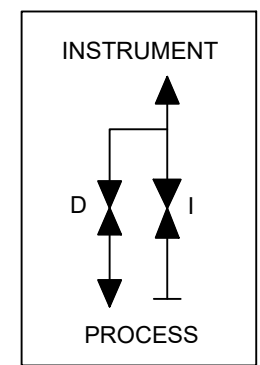
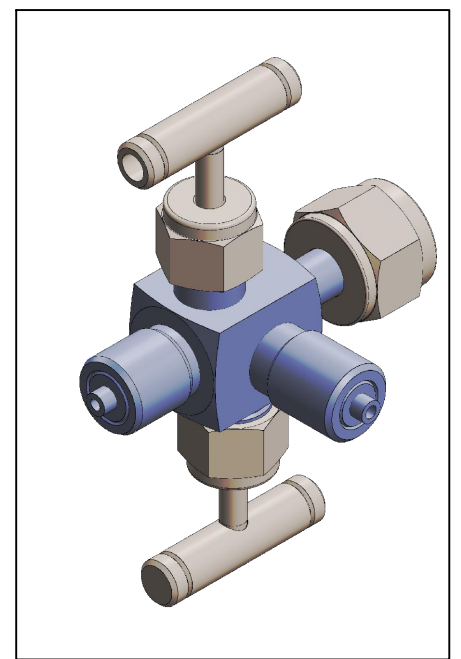


PATH:- \\192.168.0.10\DEVELOPMENT\DEVELOPMENT (FY23_24)\WELD MANIFOLD



Sr No.	DESCRIPTION	MATERIAL	QTY
1	VALVE BODY	ASTM A479 Gr. SS316L	1
2	SWIVEL NUT	ASTM A479 Gr. SS316L	1
3	SPINDLE TIP	ASTM A479 Gr. SS316L	2
4	LOWER GLAND WASHER	ASTM A479 Gr. SS316L	2
5	GLAND PACKING	GFT	2
6	UPPER GLAND WASHER	ASTM A479 Gr. SS316L	2
7	GLAND NUT	ASTM A479 Gr. SS316L	2
8	SPINDLE	ASTM A479 Gr. SS316L	2
9	HANDLE	ASTM A479 Gr. SS316L	2
10	GRUB SCREW	SS304	4



TECHNICAL DETAILS:

- PROCESS SIDE: M20 X 1.5P-M
- INSTRUMENT SIDE: M20 X 1.5P-F(SWIVEL)
- DRAIN: M20 X 1.5P-M
- WELDED BONNET DESIGN
- TEMPERATURE RANGE:- -53°C TO +260°C
- MCWP.: 6000 PSIG @ 100 °F
- BODY TEST PRESS (HYDRO): 9000 PSIG
- SEAT TEST PRESS (HYDRO): 6600 PSIG
- SEAT TEST PRESS (PNEU): 90 PSIG



PART NAME : 2 VALVE MANIFOLD WITH WELD BONNET, INLET- M20 X 1.5M , OUTLET -M20 X 1.5F SWIVEL NUT AND DRAIN: M20 X 1.5M		CUSTOMER NAME: -	
DWG NO : - SV2EWB-M20M-M20FSM-M20M-S6		PROJECT NAME & NO: -	
MATERIAL : - AS PER BOM		ENQ NO: EN2223/00000	
REV NO		SO NO: -	
DESCRIPTION		SHEET NO: 01 OF 01	
SIGN		REV NO: 00	
DATE		SCALE: NTS	
DRAWN BY: MBC 17.11.2023		* All dimensions are in mm. Dimensions for reference only and are subject to change without notice	
CHECKED BY: VSM 17.11.2023		* This document is the property of Havi Engineering India Pvt. Ltd. No exploitation or release of any text contained herein or relating to this document is permitted in any form without the written consent of HAVI.	
APPROVED BY: SRD 17.11.2023			