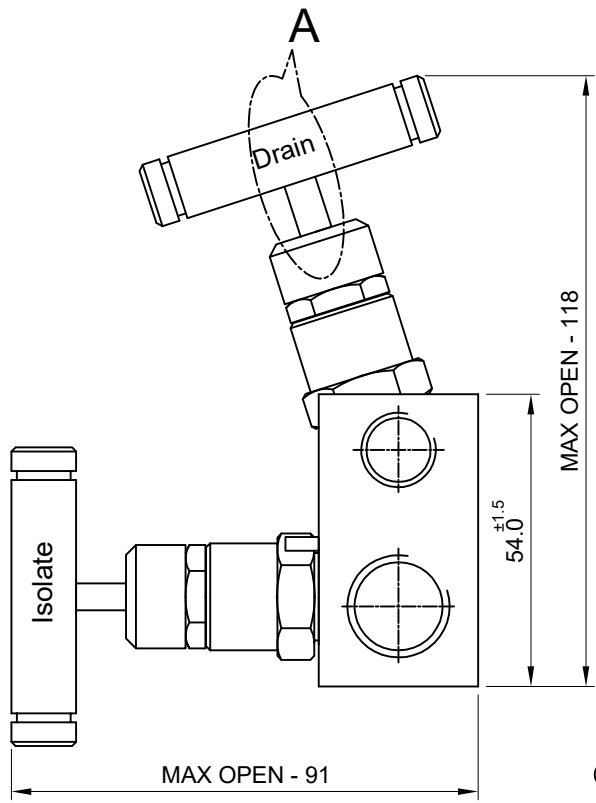
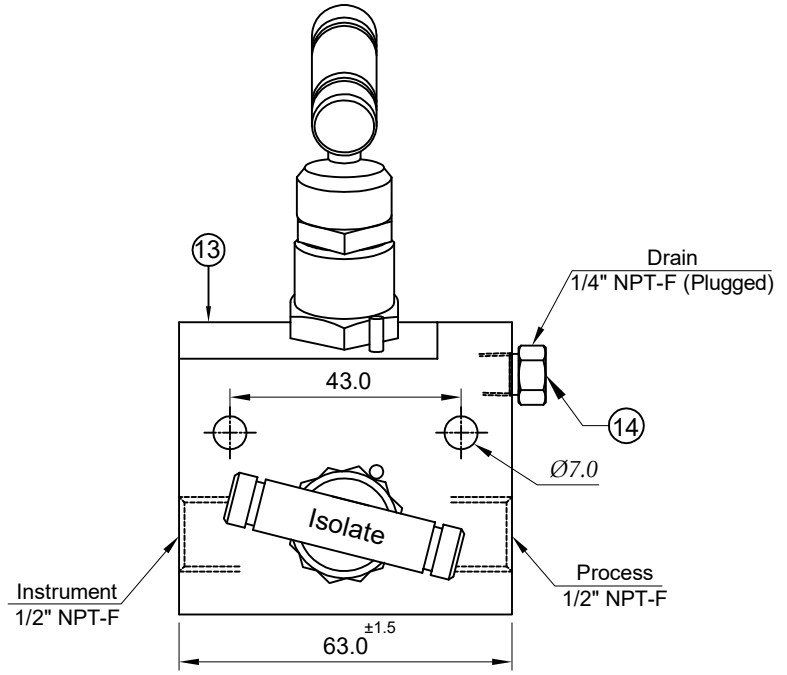
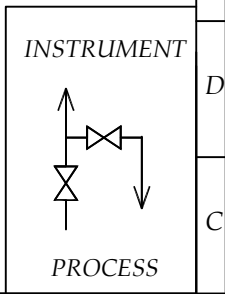
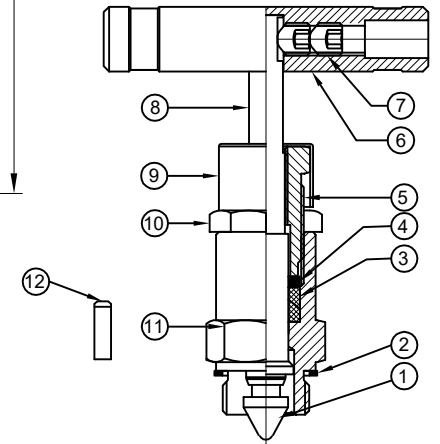


PATH: -Z:\2022-2023\EXPORT\EN22300815



Sr No.	Description	Material	Qty
1	Tip	ASTM A479 Gr. SS316	2
2	Bonnet Packing	ASTM A479 Gr. SS316	2
3	Gland Washer	ASTM A479 Gr. SS316	2
4	Gland Packing	GFT	2 Set
5	Bonnet Pusher	ASTM A479 Gr. SS316	2
6	Handle	SS 304	2
7	Grub Screw	SS 304	4
8	Spindle	ASTM A479 Gr. SS316	2
9	Drain Cap	PVC	2
10	Check Nut	SS304	2
11	Bonnet	ASTM A479 Gr. SS316	2
12	Dowel Pin	SS304	2
13	Body	ASTM A182 Gr.F316	1
14	Drain Plug	ASTM A479 Gr. SS316	1



TECHNICAL DETAILS:

- Process Side: 1/2" NPT-F
- Instrument Side: 1/2" NPT-F
- Drain: 1/4" NPT-F (Plugged)
- Screwed Bonnet Design
- MWP.: 6000 psig @ 100 °F
- Body Test Press (Hydro): 9000 psig
- Seat Test Press (Hydro): 6600 psig
- Seat Test Press (Pneu): 90 psig

havi
 Fittings & Valves
 info@havi.in www.havi.in
 A-201, PRIME TRADE CENTER
 SATIVALI ROAD, VASAI (E),
 PALGHAR - 401208, MAHARASHTRA, INDIA

PART NAME : 2 Valve Manifold Remote Mounting 1/2" NPTF X 1/2" NPTF X 1/4"NPTF DRAIN		CUSTOMER NAME: -	
DWG NO : - SV2G-8F-8F-S6		PROJECT NAME & NO: -	
MATERIAL :- AS PER BOM		ENQ NO:EN2223/00815	
REV NO		SO NO:	
DESCRIPTION		SIGN	
DATE		DATE	
DRAWN BY	VK	13.10.2022	* All dimensions are in mm. Dimensions for reference only and are subject to change without notice * This document is the property of Havi Engineering India Pvt. Ltd. No exploitation or release of any text contained herein or relating to this document is permitted in any form without the written consent of HAVI.
CHECKED BY	SB	13.10.2022	
APPROVED BY	SM	13.10.2022	
SHEET NO: 01 OF 01			REV NO: 00
SCALE: NTS			

12 11 10 9 8 7 6 5 4 3 2 1