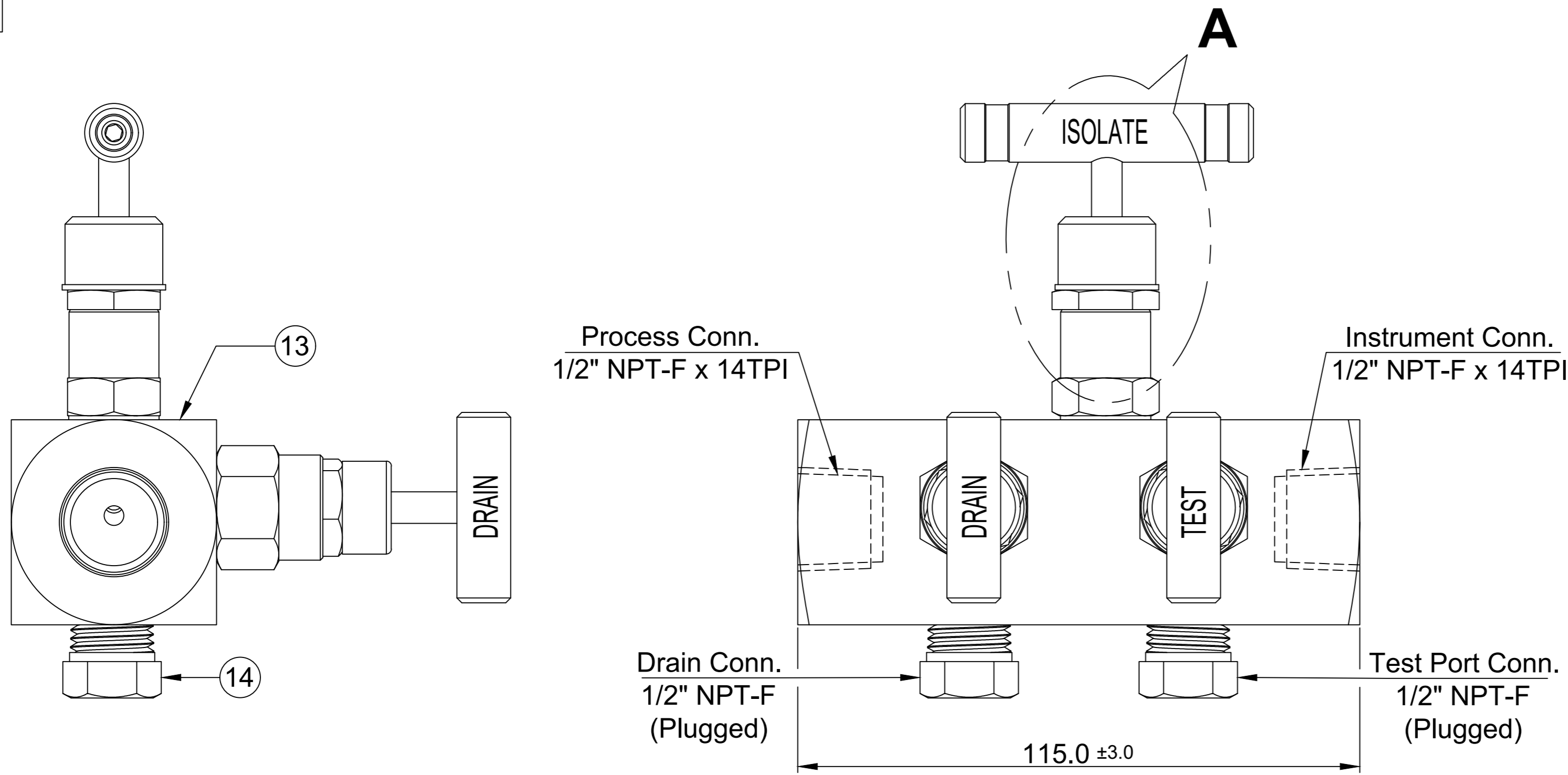
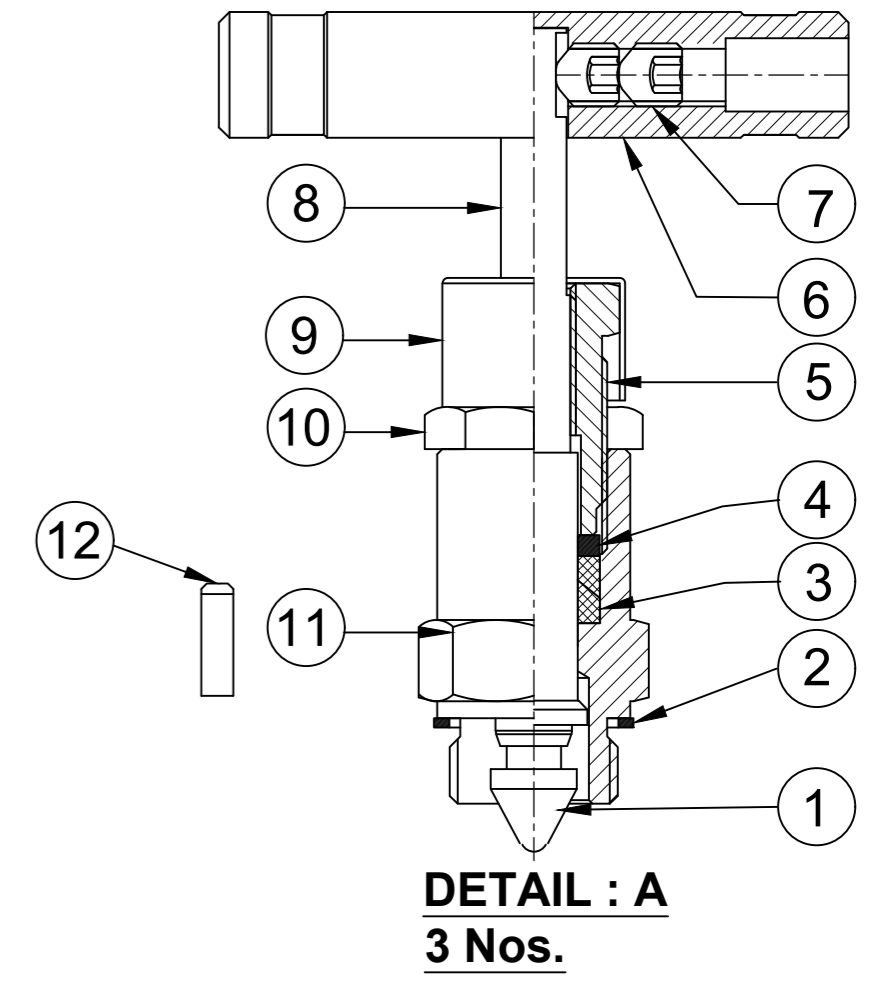


Qty :- 350

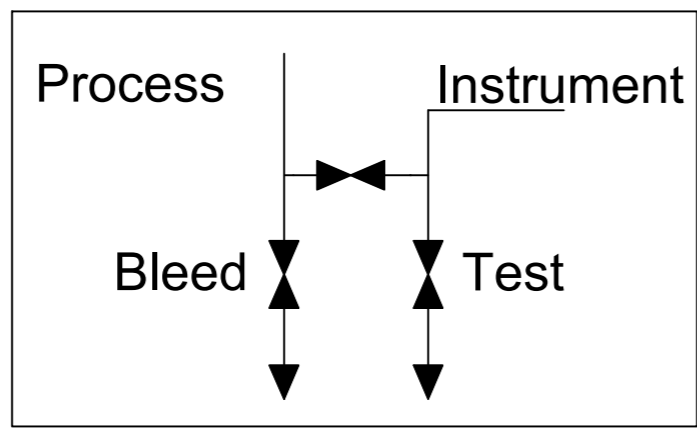
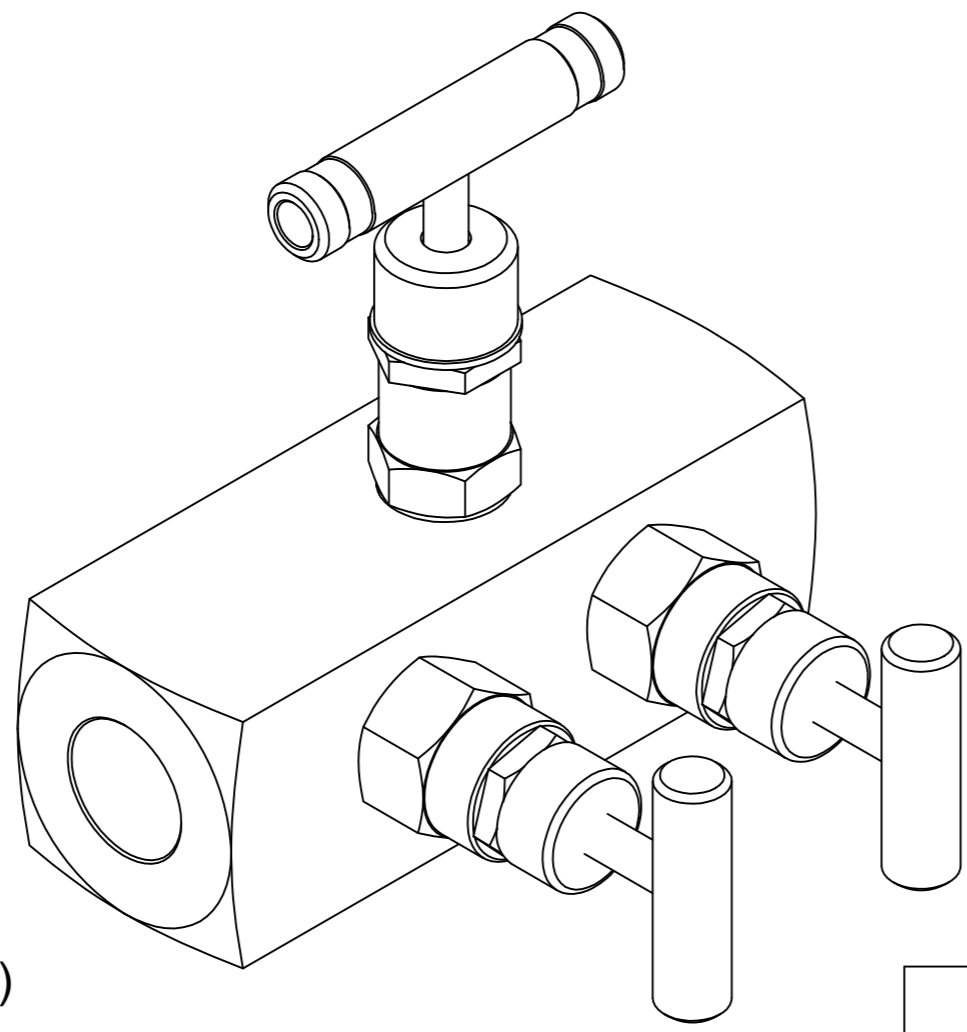


Sr No.	Description	Material	Qty
1	Tip	SS316/L	3
2	Bonnet Packing	SS316/L	3
3	Gland Packing	GFT	3 Set
4	Gland Washer	SS316/L	3
5	Bonnet Pusher	SS316/L	3
6	Handle	SS316/L	3
7	Grub Screw	SS316/L	6
8	Spindle	SS316/L	3
9	Drain Cap	ALUMINIUM	3
10	Check Nut	SS316/L	3
11	Bonnet	SS316/L	3
12	Dowel Pin	SS316/L	3
13	Body	ASTM A182 Gr. SS316/L	1
14	Drain Plug	SS316/L	2



TECHNICAL DETAILS:

- Process Side: 1/2" NPT-F
- Instrument Side: 1/2" NPT-F
- Drain: 1/2" NPT-F(Plugged)
- Test Port: 1/2" NPT-F Test (Plugged)
- Screwed Bonnet Design
- NACE Compliant : MR 0175
- MWP.: 6000 psig @ 100 °F
- Body Test Press (Hydro): 9000 psig
- Seat Test Press (Hydro): 6600 psig
- Seat Test Press (Pneu): 90 psig



havi
Fittings & Valves
info@havi.in www.havi.in
A-201, PRIME TRADE CENTER
SATIVALI ROAD, VASAI (E),
PALGHAR - 401208, MAHARASHTRA, INDIA

	SIGN	DATE
DRAWN BY	MBC	07.07.2023
CHECKED BY	VM	07.07.2023
APPROVED BY	SRD	07.07.2023

PART NAME : 3 Valve Manifold 1/2"NPT-F x 1/2"NPT-F x 1/2"NPT-F drain x 1/2"NPT-F test port

DWG NO. : - SV3E-8F-8F-8F-8TP-S6L-N

MATERIAL : - AS PER BOM

REV NO	DESCRIPTION	SIGN	DATE

* All dimensions are in mm. Dimensions for reference only and are subject to change without notice
* This document is the property of Havi Engineering India Pvt. Ltd. No exploitation or release of any text contained herein or relating to this document is permitted in any form without the written consent of HAVI.

CUSTOMER NAME:-

PROJECT NAME:-

ENQ NO: EN2324/00388

SO NO:

SHEET NO: 01 OF 01

REV NO: 00

SCALE: NTS

PATH: -X:12023-2024\EXPORT\EN2324\00388\GAD