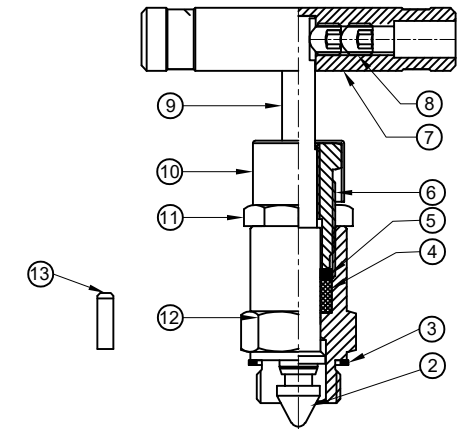
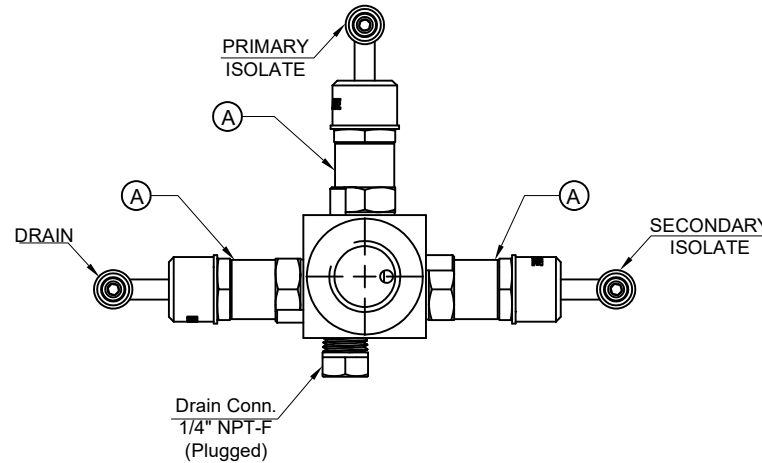
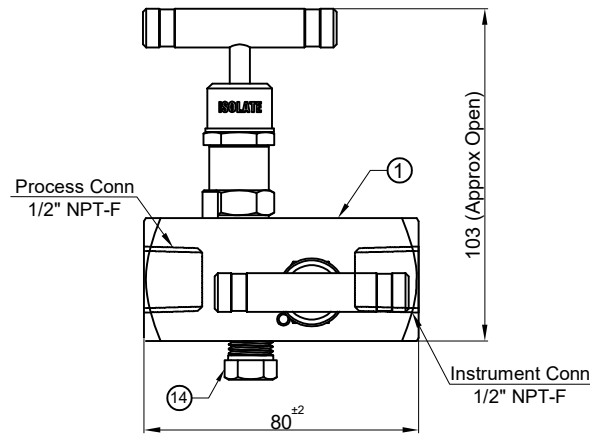
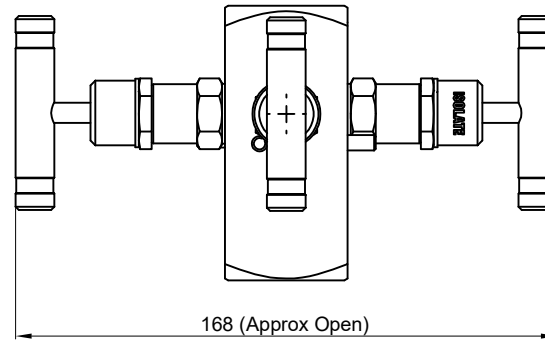


SR NO	DESCRIPTION	MATERIAL	QTY
1	BODY	ASTM A182 Gr.F316	1
2	TIP	ASTM A479 Gr.SS316	3
3	BONNET PACKING	ASTM A479 Gr.SS316	3
4	GLAND PACKING	GFT	3
5	GLAND WASHER	ASTM A479 Gr.SS316	3
6	BONNET PUSHER	ASTM A479 Gr.SS316	3
7	HANDLE	SS316	3
8	GRUB SCREW	SS304	6
9	SPINDLE	ASTM A479 Gr.SS316	3
10	DRAIN CAP	PVC	3
11	CHECK NUT	SS316	3
12	BONNET	ASTM A479 Gr.SS316	3
13	DOWEL PIN	SS304	3
14	DRAIN PLUG	ASTM A479 Gr.SS316	1

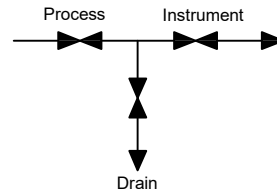



TECHNICAL DETAILS:

- Process Side: 1/2" NPT-F
- Instrument Side: 1/2" NPT-F
- Drain: 1/4" NPT-F (Plugged)
- Orifice : 4mm
- Screwed Bonnet Design

- MWP.: 6000 psig @ 100 °F
- Body Test Press (Hydro): 9000 psig
- Seat Test Press (Hydro): 6600 psig
- Seat Test Press (Pneu): 90 psig
- Nace MR0175 Applicable

Note:- Unless Otherwise Specified All Dimensions Are In 'mm'



 Fillings & Valves info@havi.in www.havi.in A-201, PRIME TRADE CENTER SATIVALI ROAD, VASAI (E), PALGHAR - 401208, MAHARASHTRA, INDIA		PART NAME : 3 Valve Compact Manifold Double Block & Bleed Type 1/2" NPT-F X 1/2" NPT-F				CUSTOMER NAME:	
		DWG NO : - SV3EC-8F-8F-S6-N				PROJECT NAME & NO:	
DRAWN BY : VK		SIGN : SB		DATE : 21.01.2023		ENQ NO: EN2223/01184	
CHECKED BY : SB		SIGN : SD		DATE : 21.01.2023		SHEET NO: 01 OF 01	
APPROVED BY : SD		SIGN : SD		DATE : 21.01.2023		SCALE: NTS	
* All dimensions are in mm. Dimensions for reference only and are subject to change without notice * This document is the property of Havi Engineering India Pvt. Ltd. No exploitation or release of any text contained herein or relating to this document is permitted in any form without the written consent of HAVI.				SO NO:		REV NO: 00	

PATH: -X:\2022-2023\EXPORT\EN222301184\GAD