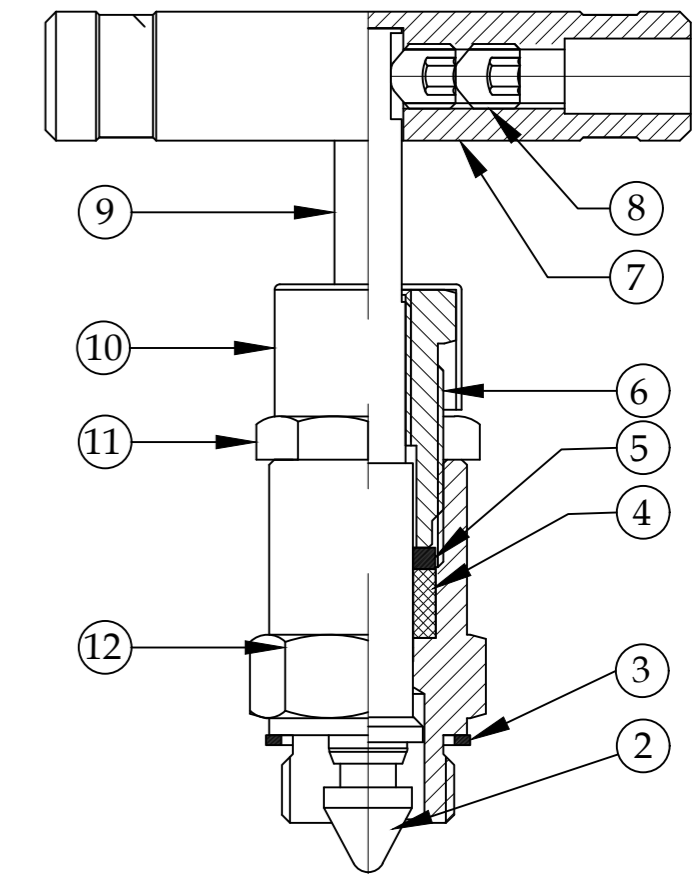
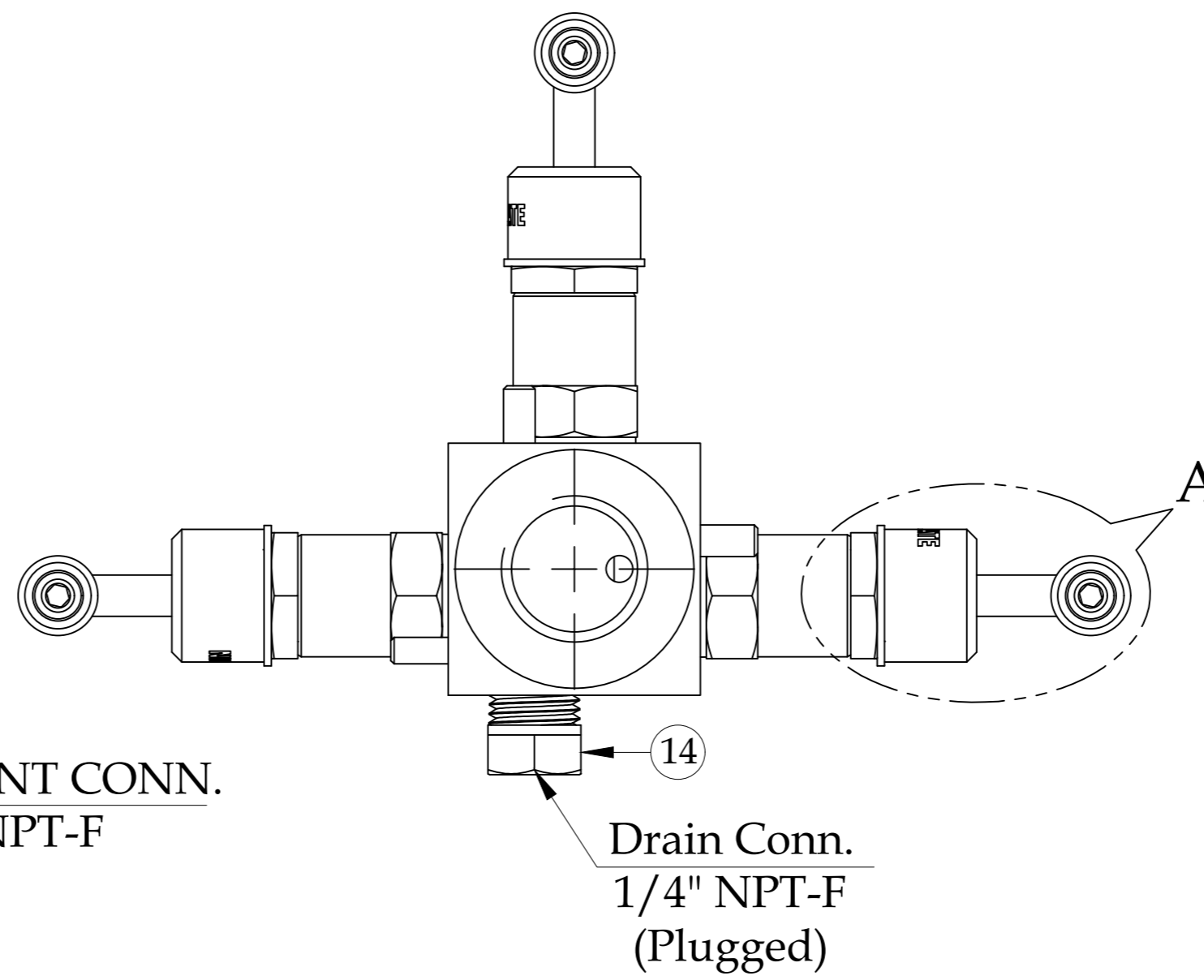
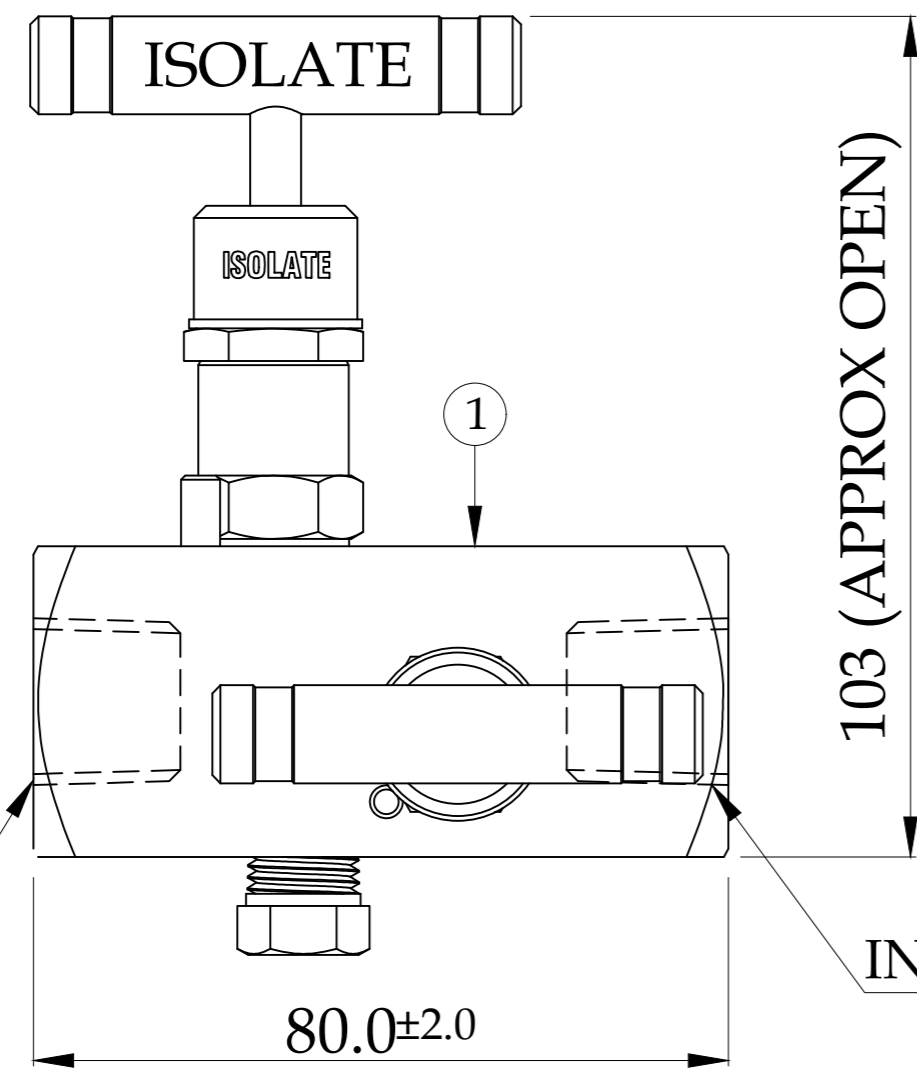


SR NO	DESCRIPTION	MATERIAL	QTY
1	BODY	ASTM A182 Gr.F316	1
2	TIP	ASTM A479 Gr.SS316	3
3	BONNET PACKING	ASTM A479 Gr.SS316	3
4	GLAND PACKING	GFT	3
5	GLAND WASHER	ASTM A479 Gr.SS316	3
6	BONNET PUSHER	ASTM A479 Gr.SS316	3
7	HANDLE	SS 304	3
8	GRUB SCREW	SS 304	6
9	SPINDLE	ASTM A479 Gr.SS316	3
10	DRAIN CAP	ALUMINIUM	3
11	CHECK NUT	SS 304	3
12	BONNET	ASTM A479 Gr.SS316	3
13	DOWEL PIN	SS 304	3
14	DRAIN PLUG	ASTM A479 Gr.SS316	1



DETAIL-"A"
3 NOS.

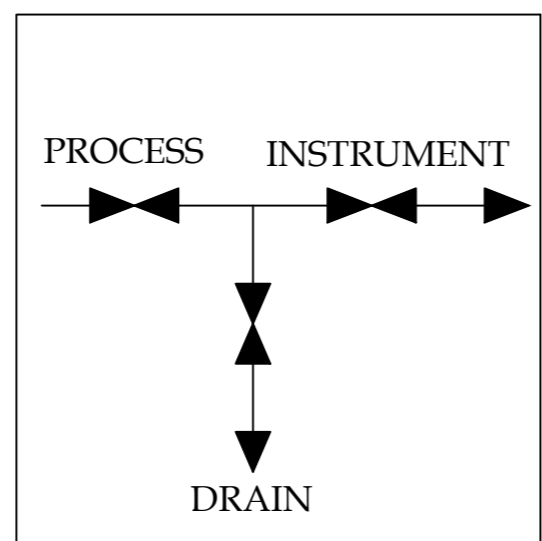
PROCESS CONN.
1/2" NPT-F

INSTRUMENT CONN.
1/2" NPT-F

Drain Conn.
1/4" NPT-F
(Plugged)

TECHNICAL DETAILS:

- PROCESS SIDE: 1/2" NPT-F
- INSTRUMENT SIDE: 1/2" NPT-F
- DRAIN: 1/4" NPT-F (PLUGGED)
- ORIFICE : 4MM
- SCREWED BONNET DESIGN
- TEMPERATURE RANGE:- -54°C TO +260°C
- MWP.: 6000 PSIG @ 100 °F
- BODY TEST PRESS (HYDRO): 9000 PSIG
- SEAT TEST PRESS (HYDRO): 6600 PSIG
- SEAT TEST PRESS (PNEU): 90 PSIG



havi
Fittings & Valves
info@havi.in www.havi.in
A-201, PRIME TRADE CENTER
SATIVALI ROAD, VASAI (E),
PALGHAR - 401208, MAHARASHTRA, INDIA

	SIGN	DATE
DRAWN BY	MBC	12.08.2023
CHECKED BY	VSM	12.08.2023
APPROVED BY	SRD	12.08.2023

PART NAME : 3 Valve Compact Manifold DBB Type 1/2" NPT-F X 1/2" NPT-F		CUSTOMER NAME: -	
DWG NO : - SV3EC-8F-8F-S6		PROJECT NAME & NO: -	
MATERIAL : - AS PER BOM		ENQ NO:EN2324/00503	
REV NO	DESCRIPTION	SIGN	DATE

SO NO:	SHEET NO: 01 OF 01
	REV NO: 00
	SCALE: NTS

PATH: -X:\2023-2024\EXPORT\EN232400503\GAD