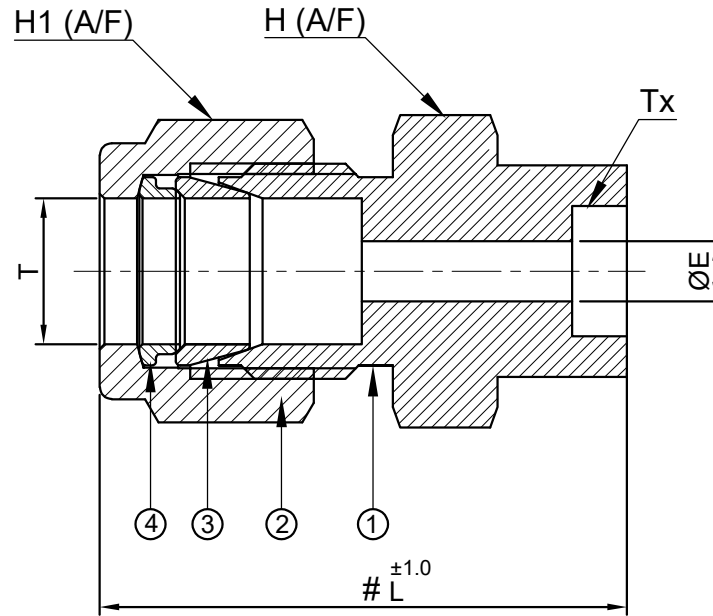


PATH: \\192.168.0.10\WORK ORDER\FY 2022-23\SO-0145

SR NO	DESCRIPTION	QTY	MATERIAL
1	BODY	1	SS316
2	NUT	1	SS316
3	FRONT FERRULE	1	SS316
4	BACK FERRULE	1	SS316



SR NO	PART NO	T	Tx	L	H1 (A/F)	H (A/F)	ØE
1	6MSWC4T-S6	6mm	1/4" ODT(6.35mm)	33.5	14.0	14.2	4.2
2	12MSWC8T-S6	12mm	1/2" ODT(12.7mm)	41.0	22.0	22.0	9.5



**NOTE:**

- # MARKED DIMENSION IS IN FINGER TIGHT POSITION.
- NPT THREAD AS PER ANSI B 1.20.1.

	SIGN	DATE
DRAWN BY	VK	18.07.2022
CHECKED BY	RW	18.07.2022
APPROVED BY	SM	18.07.2022



www.havi.in  
info@havi.in

PART NAME : Socket Weld Connector - Tube OD X Tube SW

CUSTOMER NAME:

DWG NO - XMSWCXT-S6

PROJECT NAME & NO:

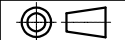
MATERIAL : SS 316

REV NO	DESCRIPTION	SIGN	DATE
1	Bore Diameter(ØE) Change	MP	05.08.2022

ENQ NO:- EN2223/00089

SHEET NO:  
01 OF 01

SO NO: - SO2223/00145



\* All dimensions are in mm. Dimensions for reference only and are subject to change without notice  
\* This document is the property of Havi Engineering India Pvt. Ltd. No exploitation or release of any text contained herein or relating to this document is permitted in any form without the written consent of HAVI.

REV NO: 00

SCALE: NTS