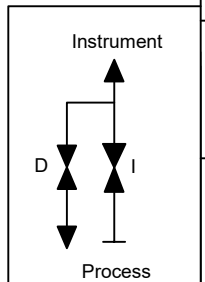
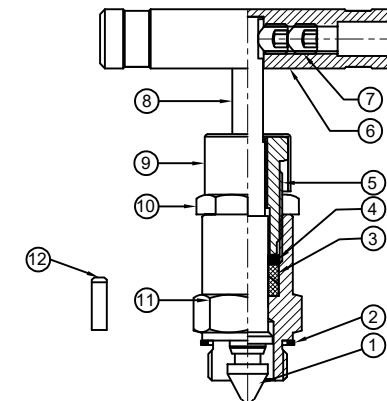


Sr No.	Description	Material	Qty
1	Tip	ASTM A479 Gr.SS316	2
2	Bonnet Packing	ASTM A479 Gr.SS316	2
3	Gland Packing	GFT	2 Set
4	Gland Washer	ASTM A479 Gr.SS316	2
5	Bonnet Pusher	ASTM A479 Gr.SS316	2
6	Handle	SS 304	2
7	Grub Screw	SS 304	4
8	Spindle	ASTM A479 Gr.SS316	2
9	Drain Cap	ALUMINIUM	2
10	Check Nut	SS304	2
11	Bonnet	ASTM A479 Gr.SS316	2
12	Dowel Pin	SS304	2
13	Body	ASTM A182 Gr.F316	1
14	Drain Plug	ASTM A479 Gr.SS316	1



**TECHNICAL DETAILS:**

- Process Side: 1/2" NPT-F
- Instrument Side: Flanged
- Drain: 1/4" NPT-F (Plugged)
- Screwed Bonnet Design
- MWP : 6000 psig @100°F
- Seat Test Press (Hydro): 6600 psig
- Seat Test Press (Pneu): 90 psig
- Body Test Press (Hydro) : 9000 psig
- Temperature Rating:- -54°C to 260°C

**havi**  
Fittings & Valves  
info@havi.in www.havi.in  
A-201, PRIME TRADE CENTER  
SATIVALI ROAD, VASAI (E),  
PALGHAR - 401208, MAHARASHTRA, INDIA

PART NAME : 2 Valve Manifold Direct Mounting 1/2" NPT-F x Flanged X 1/4"NPTF DRAIN		CUSTOMER NAME: -	
DWG NO : - TV2C-8F-S6-M10		PROJECT NAME & NO: -	
MATERIAL :- AS PER BOM		ENQ NO:EN2223/01397	
REV NO	DESCRIPTION	SIGN	DATE
DRAWN BY	MCD		24.05.2022
CHECKED BY	VM		24.05.2022
APPROVED BY	SRD		24.05.2022

SO NO:		SHEET NO: 01 OF 01	
		REV NO: 00	
		SCALE: NTS	

\* All dimensions are in mm. Dimensions for reference only and are subject to change without notice  
\* This document is the property of Havi Engineering India Pvt. Ltd. No exploitation or release of any text contained herein or relating to this document is permitted in any form without the written consent of HAVI.

PATH:-Z:\2022-2023\EXPORT\IEN222301397\GAD