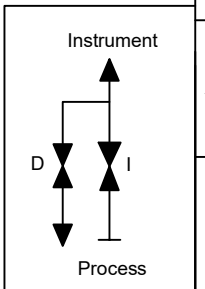
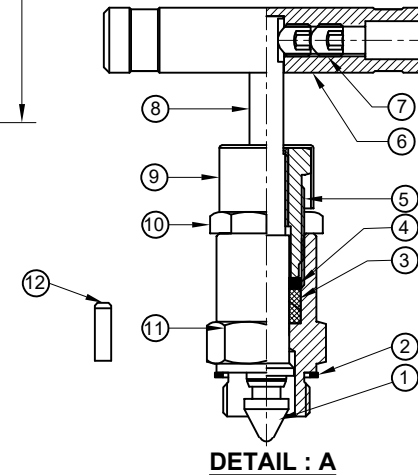


Sr No.	Description	Material	Qty
1	Tip	ASTM A479 Gr.SS316	2
2	Bonnet Packing	ASTM A479 Gr.SS316	2
3	Gland Packing	GFT	2 Set
4	Gland Washer	ASTM A479 Gr.SS316	2
5	Bonnet Pusher	ASTM A479 Gr.SS316	2
6	Handle	SS 316	2
7	Grub Screw	SS 304	4
8	Spindle	ASTM A479 Gr.SS316	2
9	Drain Cap	PVC	2
10	Check Nut	SS304	2
11	Bonnet	ASTM A479 Gr.SS316	2
12	Dowel Pin	SS316	2
13	Body	ASTM A182 Gr.F316	1
14	Drain Plug	ASTM A479 Gr.SS316	1



TECHNICAL DETAILS:

- Process Side: 1/2" NPT-F
- Instrument Side: Flanged
- Drain: 1/4" NPT-F (Plugged)
- Screwed Bonnet Design
- MWP : 6000 psig @100°F
- Seat Test Press (Hydro): 6600 psig
- Seat Test Press (Pneu): 90 psig
- Body Test Press(Hydro) : 9000 psig

havi
Fittings & Valves
info@havi.in www.havi.in
A-201, PRIME TRADE CENTER
SATIVALI ROAD, VASAJ (E),
PALGHAR - 401208, MAHARASHTRA, INDIA

DRAWN BY	SIGN	DATE	REV NO	DESCRIPTION	SIGN	DATE
VK		02.09.2022				
SB		02.09.2022				
SM		02.09.2022				

PART NAME :
2 Valve Manifold Direct Mounting 1/2" NPT-F x Flanged X
1/4"NPTF DRAIN
DWG NO : - TV2C-8F-S6
MATERIAL : - AS PER BOM

CUSTOMER NAME: -	
PROJECT NAME & NO: -	
ENQ NO:EN2223/00608	
SO NO:	SHEET NO: 01 OF 01
	REV NO: 00
	SCALE: NTS