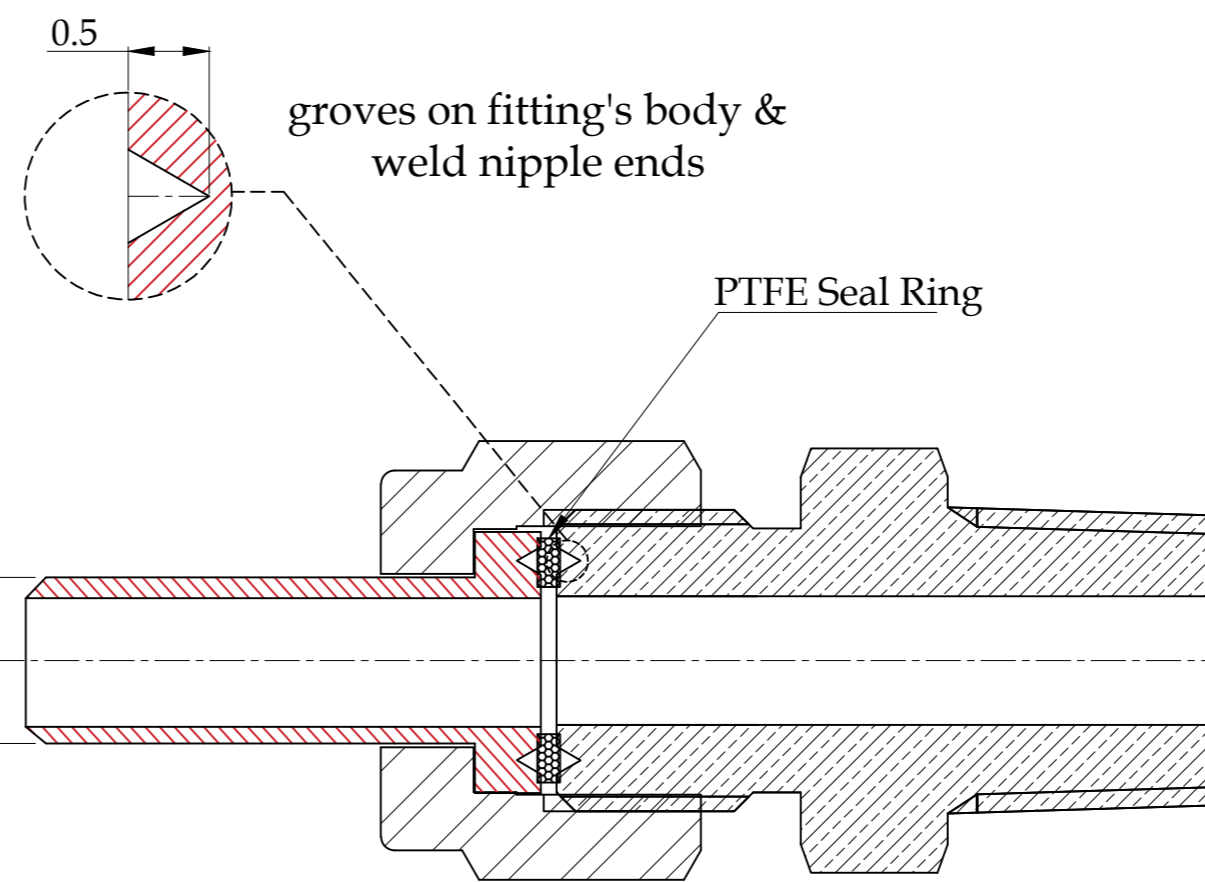
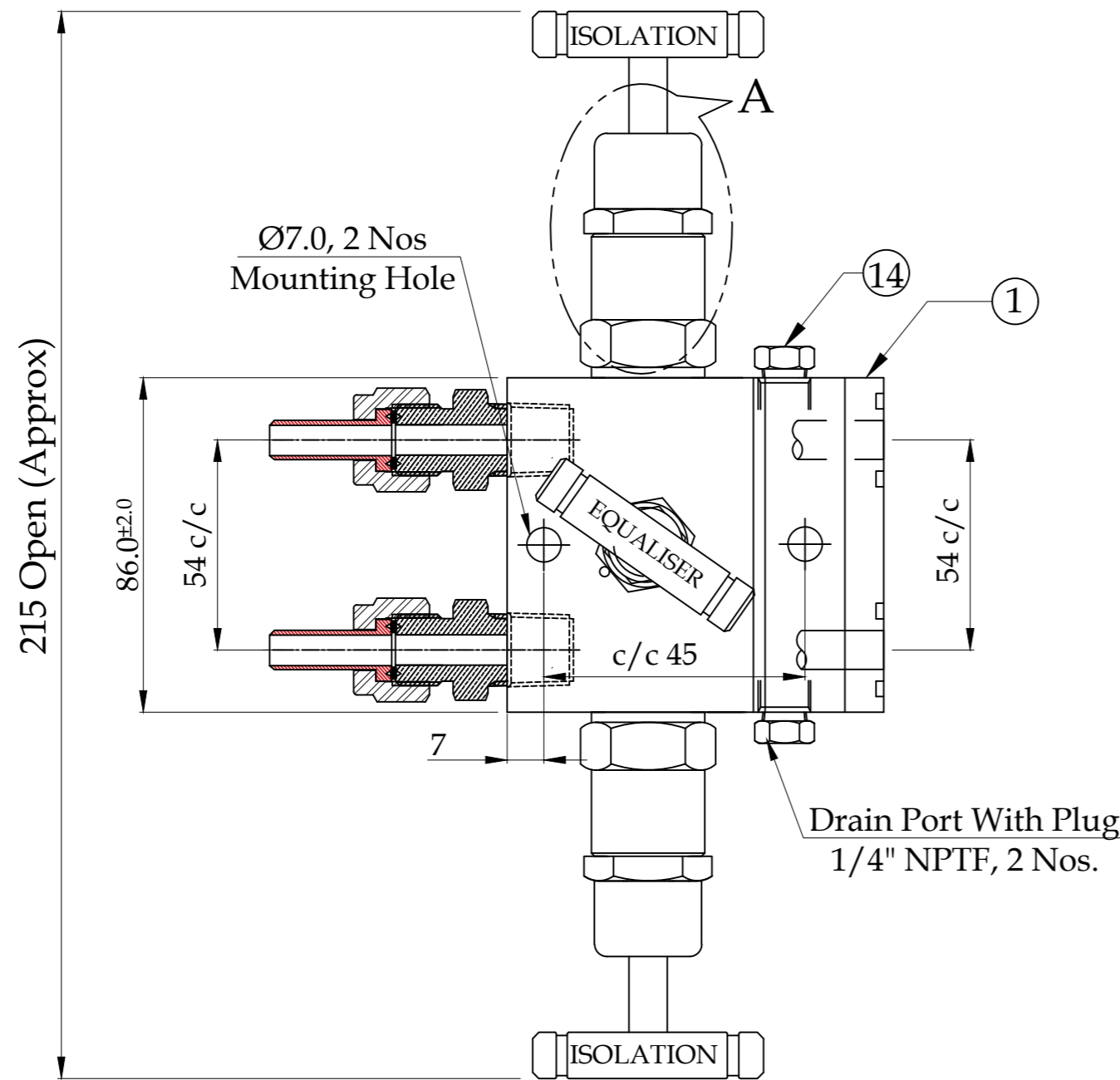
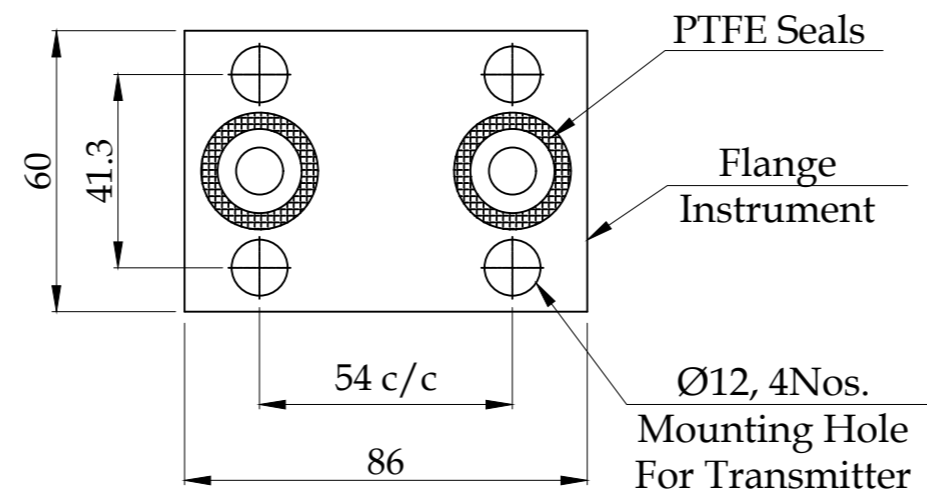
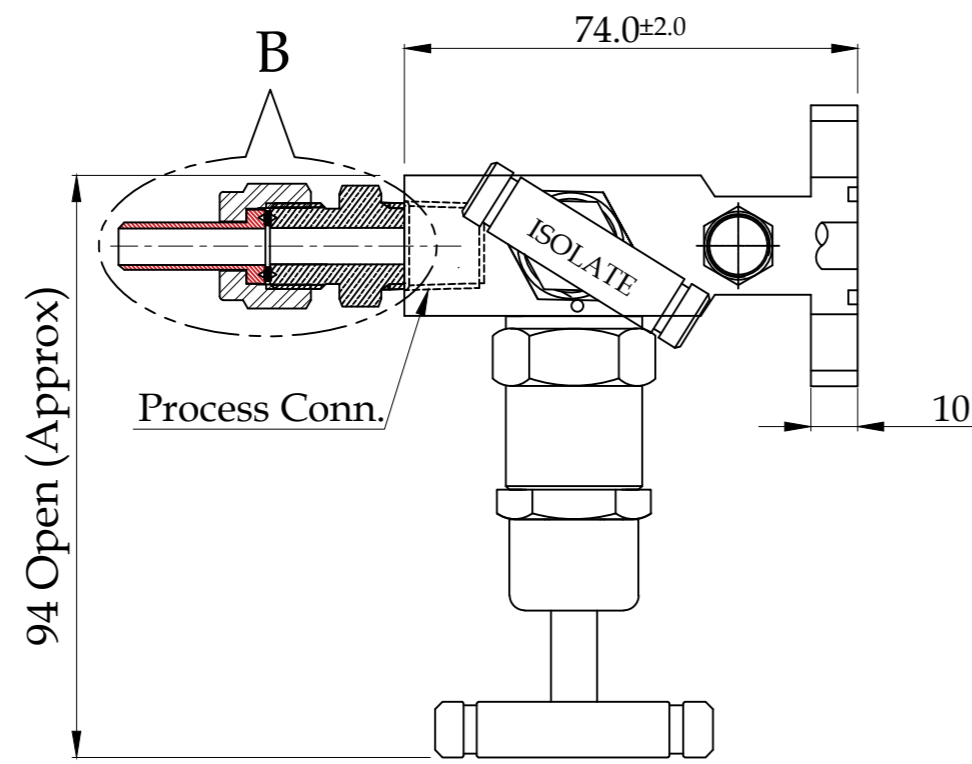
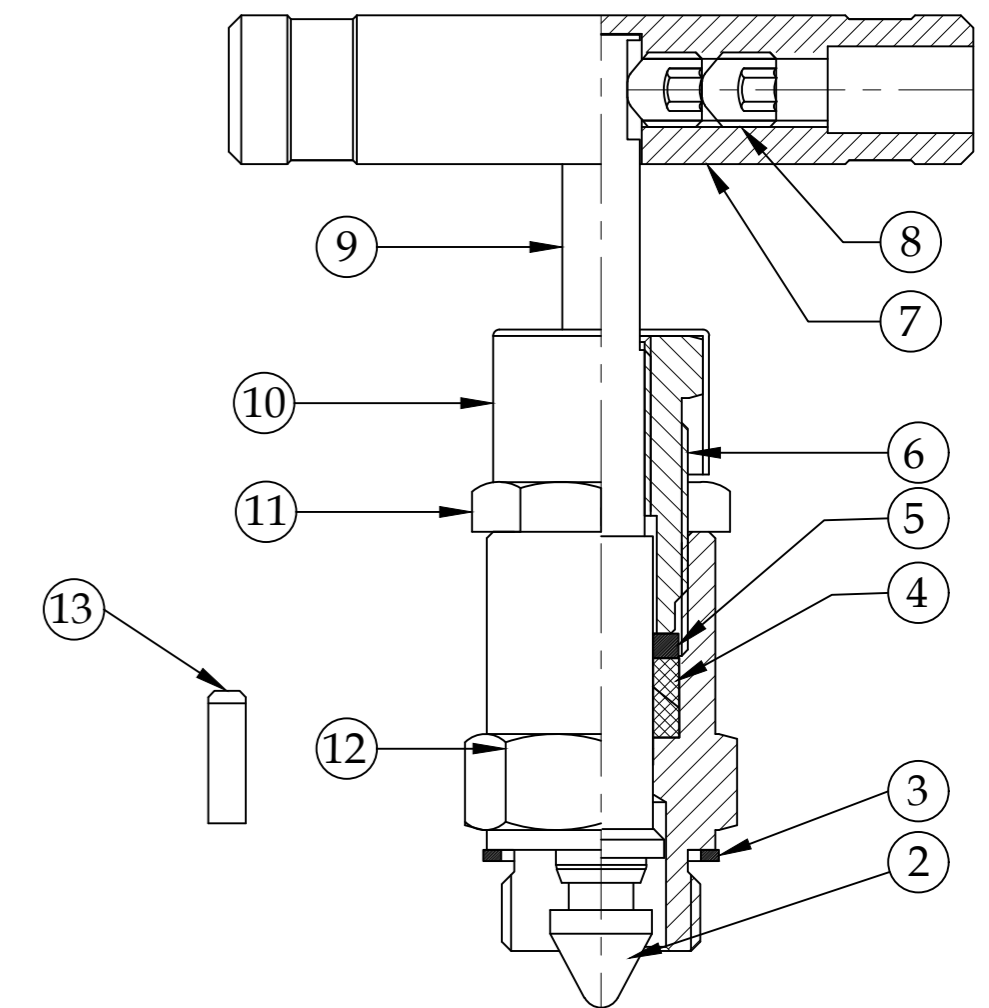


SR NO	DESCRIPTION	MATERIAL	QTY
1	BODY	ASTM A182 Gr.F316	1
2	TIP	ASTM A479 Gr.SS316	3
3	BONNET PACKING	ASTM A479 Gr.SS316	3
4	GLAND PACKING	GFT	3
5	GLAND WASHER	ASTM A479 Gr.SS316	3
6	BONNET PUSHER	ASTM A479 Gr.SS316	3
7	HANDLE	SS 304	3
8	GRUB SCREW	SS 304	6
9	SPINDLE	ASTM A479 Gr.SS316	3
10	DUST CAP	ALUMINIUM	3
11	CHECK NUT	SS 304	3
12	BONNET	ASTM A479 Gr.SS316	3
13	DOWEL PIN	SS 304	3
14	DRAIN PLUG	ASTM A479 Gr.SS316	2



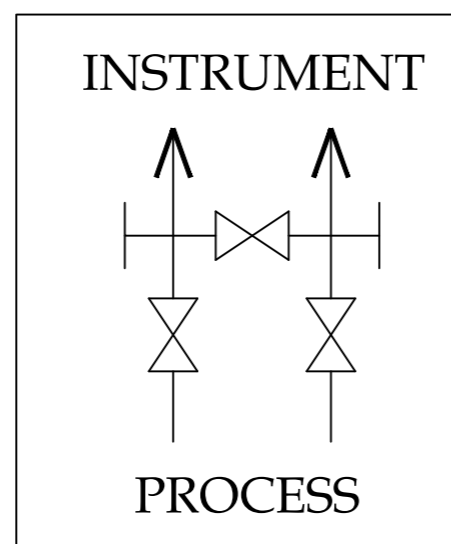
DETAIL-"B"
2 Nos. R1



DETAIL-"A"
3 NOS.

Technical Details:

- Process Side: 14mm Weld Tube
- Instrument Side: Flange
- Drain: 1/4" NPT-F (Plugged)
- Orifice : 4mm
- Screwed Bonnet Design
- Temperature Range:- -54°C TO +260°C
- M.W.P.: 6000 psig @ 100 °F
- Body Test Press (Hydro): 9000 psig
- Seat Test Press (Hydro): 6600 psig
- Seat Test Press (Pneu): 90 psig



havi
Fittings & Valves
info@havi.in www.havi.in
A-201, PRIME TRADE CENTER
SATIVALI ROAD, VASAI (E),
PALGHAR - 401208, MAHARASHTRA, INDIA

SIGN	DATE
DRAWN BY: MBC	12.08.2023
CHECKED BY: VSM	12.08.2023
APPROVED BY: SRD	12.08.2023

PART NAME : 3 Valve Directly Mounted Manifold Valve -Type A, Inlet 14mm Weld Tube xOutlet Direct Mount Flange x1/4" Drain

CUSTOMER NAME: -

DWG NO : TV3A-M20M-14MTBW-S6

PROJECT NAME & NO: -

MATERIAL : AS PER BOM

ENQ NO: EN2324/00503

SO NO:

SHEET NO: 01 OF 01

REV NO: 01

SCALE: NTS

* All dimensions are in mm. Dimensions for reference only and are subject to change without notice
* This document is the property of Havi Engineering India Pvt. Ltd. No exploitation or release of any text contained herein or relating to this document is permitted in any form without the written consent of HAVI.

PATH: -X:12023-2024\EXPORT\EN2324\00503\GAD