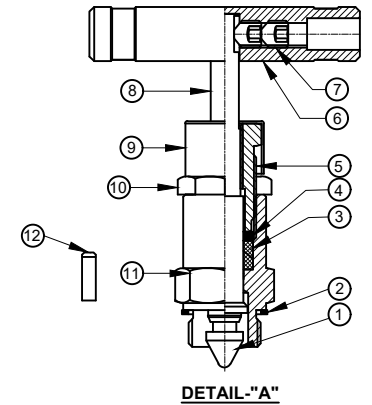
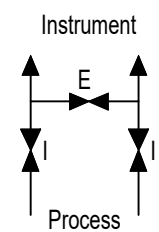


Sr No.	Description	Material	Qty
1	Tip	ASTM A479 Gr. SS316	3
2	Bonnet Packing	ASTM A479 Gr. SS316	3
3	Gland Packing	GRAPHITE	3 Set
4	Gland Washer	ASTM A479 Gr. SS316	3
5	Bonnet Pusher	ASTM A479 Gr. SS316	3
6	Handle	SS 316	3
7	Grub Screw	SS 316	6
8	Spindle	ASTM A479 Gr. SS316	3
9	Drain Cap	ALUMINIUM	3
10	Check Nut	SS 316	3
11	Bonnet	ASTM A479 Gr. SS316	3
12	Dowel Pin	SS 316	3
13	Body	ASTM A182 Gr. SS316	1



TECHNICAL DETAILS:

- Process Side: 1/2" NPT-F
- Instrument Side: Direct Mount Flg
- Screwed Bonnet Design
- MWT : -54 Deg C To 649 Deg C
- MWP : 6000 psig @100°F
- Seat Test Press (Hydro): 6600 psig
- Seat Test Press (Pneu): 90 psig
- Body Test Press(Hydro) : 9000 psig



havi
Fittings & Valves
info@havi.in www.havi.in
A-201, PRIME TRADE CENTER
SATIVALI ROAD, VASAI (E),
PALGHAR - 401208, MAHARASHTRA, INDIA

PART NAME : 3 WAY MANIFOLD VALVE-1/2" NPT-F x FLANGE		CUSTOMER NAME:	
DWG NO : - TV3C-8F-S6-G		PROJECT NAME & NO:	
MATERIAL : - AS PER BOM		ENQ NO:EN2324/00439	
REV NO		SIGN	
DATE		DATE	
DESCRIPTION		SO NO: -	
DRAWN BY: MBC		SHEET NO: 01 OF 01	
CHECKED BY: VM		REV NO: 00	
APPROVED BY: SRD		SCALE: NTS	

PATH:- \\192.168.0.10\ENQUIRIES\2023-2024\EXPORT\LEN\232400439\GAD