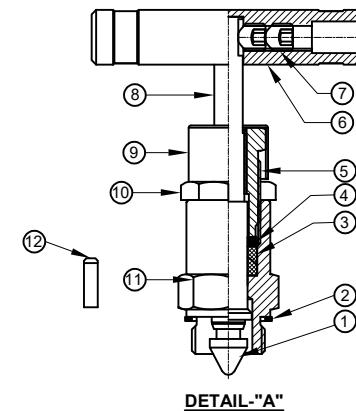
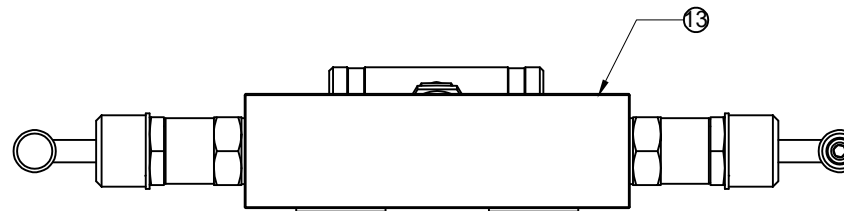
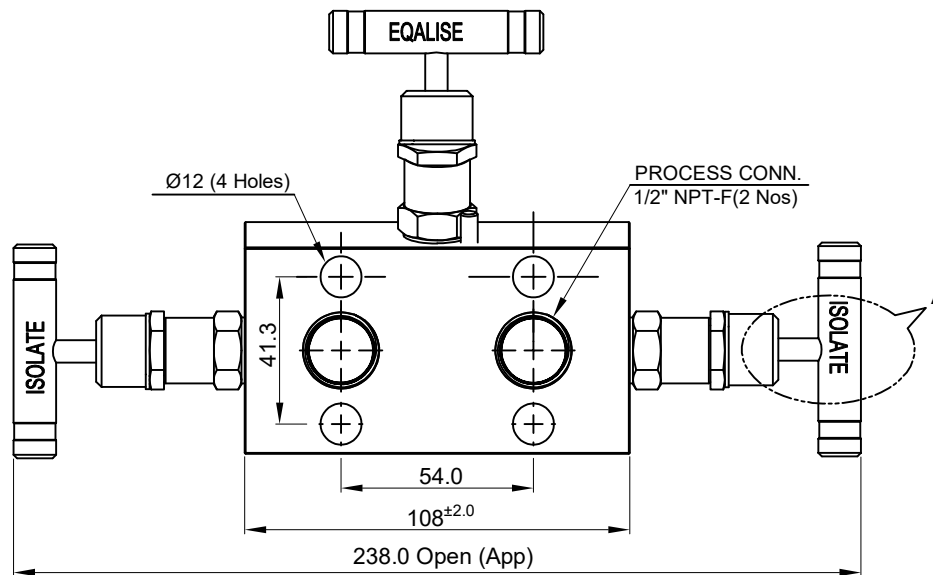
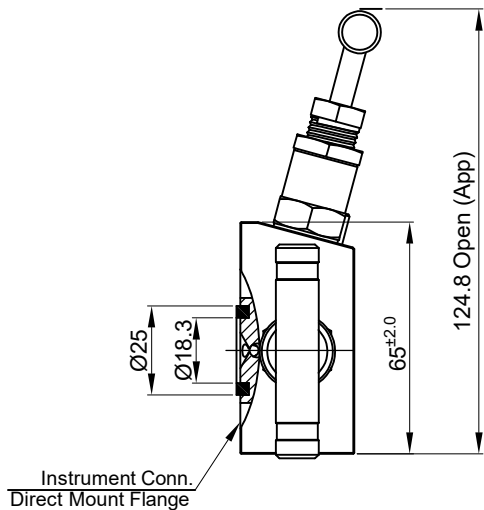
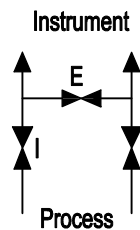


Sr No.	Description	Material	Qty
1	Tip	ASTM A479 Gr. SS316	3
2	Bonnet Packing	ASTM A479 Gr. SS316	3
3	Gland Packing	GFT	3 Set
4	Gland Washer	ASTM A479 Gr. SS316	3
5	Bonnet Pusher	ASTM A479 Gr. SS316	3
6	Handle	SS 304	3
7	Grub Screw	SS 304	6
8	Spindle	ASTM A479 Gr. SS316	3
9	Drain Cap	ALUMINIUM	3
10	Check Nut	SS 316	3
11	Bonnet	ASTM A479 Gr. SS316	3
12	Dowel Pin	SS304	3
13	Body	ASTM A182 Gr. SS316	1



TECHNICAL DETAILS:

- Process Side: 1/2" NPT-F
- Instrument Side: Direct Mount Flg
- Screwed Bonnet Design
- MWP : 6000 psig @100°F
- Seat Test Press (Hydro): 6600 psig
- Seat Test Press (Pneu): 90 psig
- Body Test Press (Hydro) : 9000 psig
- Temperature Rating:- -54°C to 260°C



havi
Fillings & Valves
info@havi.in www.havi.in
A-201, PRIME TRADE CENTER
SATIVALI ROAD, VASAI (E),
PALGHAR - 401208, MAHARASHTRA, INDIA

	SIGN	DATE	REV NO	DESCRIPTION	SIGN	DATE
DRAWN BY	MCD	24.05.2023				
CHECKED BY	VM	24.05.2023				
APPROVED BY	SRD	24.05.2023				

PART NAME : 3 WAY MANIFOLD VALVE-1/2" NPT-F x FLANGE

DWG NO : - TV3C-8F-S6-M10
MATERIAL :- AS PER BOM

CUSTOMER NAME: -

PROJECT NAME & NO: -

ENQ NO: EN2223/01397

SO NO: -

SHEET NO: 01 OF 01
REV NO: 00
SCALE: NTS

* All dimensions are in mm. Dimensions for reference only and are subject to change without notice
* This document is the property of Havi Engineering India Pvt. Ltd. No exploitation or release of any text contained herein or relating to this document is permitted in any form without the written consent of HAVI.

PATH - Z:\2022-2023\EXPORT\EN222301397\GAD