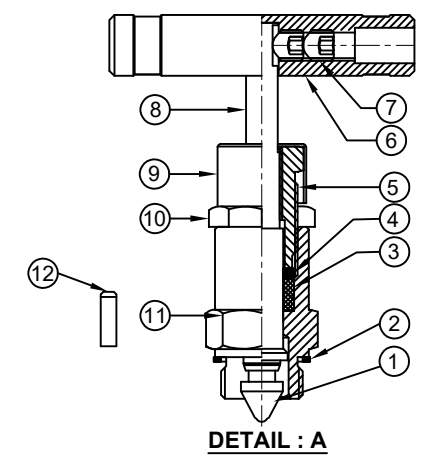
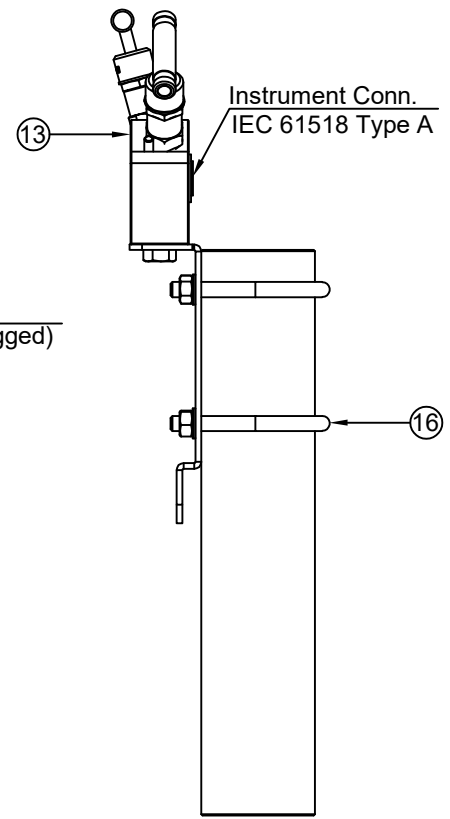
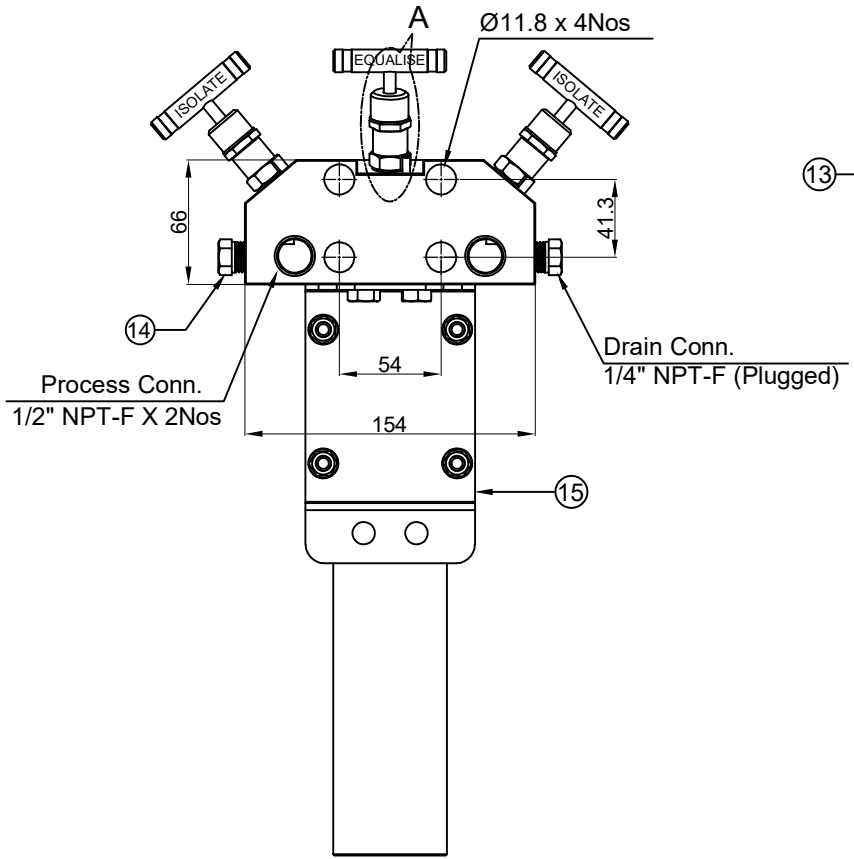
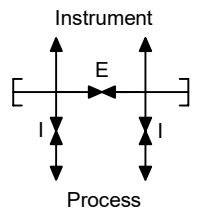


Sr No.	Description	Material	Qty
1	Tip	ASTM A479 Gr. SS316	3
2	Bonnet Packing	ASTM A479 Gr. SS316	3
3	Gland Packing	GFT	3 Set
4	Gland Washer	ASTM A479 Gr. SS316	3
5	Bonnet Pusher	ASTM A479 Gr. SS316	3
6	Handle	SS 316	3
7	Grub Screw	SS 304	6
8	Spindle	ASTM A479 Gr. SS316	3
9	Drain Cap	PVC	3
10	Check Nut	SS304	3
11	Bonnet	ASTM A479 Gr. SS316	3
12	Dowel Pin	SS304	3
13	Body	ASTM A182 Gr. F316	1
14	Drain Plug	ASTM A479 Gr. SS316	2
15	Mounting Bracket	SS316	1
16	U-BOLT With Nut & Washer	SS316	2 Set



**TECHNICAL DETAILS:**

- Process Side: 1/2" NPT-F
  - Instrument Side: IEC 61518 Type A
  - Drain: 1/4" NPT-F (Plugged)
  - Screwed Bonnet Design
- 
- MWP.: 6000 psig @ 100 °F
  - Body Test Press (Hydro): 9000 psig
  - Seat Test Press (Hydro): 6600 psig
  - Seat Test Press (Pneu): 90 psig



**havi**  
 Fillings & Valves  
 info@havi.in www.havi.in  
 A-201, PRIME TRADE CENTER  
 SATIVALI ROAD, VASAI (E),  
 PALGHAR - 401208, MAHARASHTRA, INDIA

PART NAME : 3 Valve Manifold Direct Mounting 1/2"NPT-F x IEC 61518 Type A X 1/4" NPTF Drain With Mounting Bracket				CUSTOMER NAME:			
DWG NO : - TV31-8F-S6-MB				PROJECT NAME & NO:			
MATERIAL :- AS PER BOM				ENQ NO:EN2223/00789			
REV NO				SIGN			
DATE				DATE			
SO NO:				SHEET NO: 01 OF 01			
DRAWN BY: VK				30.09.2022			
CHECKED BY: SB				30.09.2022			
APPROVED BY: SM				30.09.2022			

\* All dimensions are in mm. Dimensions for reference only and are subject to change without notice  
 \* This document is the property of Havi Engineering India Pvt. Ltd. No exploitation or release of any text contained herein or relating to this document is permitted in any form without the written consent of HAVI.

SCALE: NTS

PATH: -X:2022-2023\EXPORT\IEN222300789