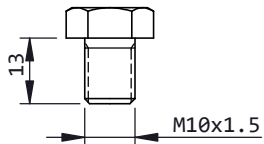
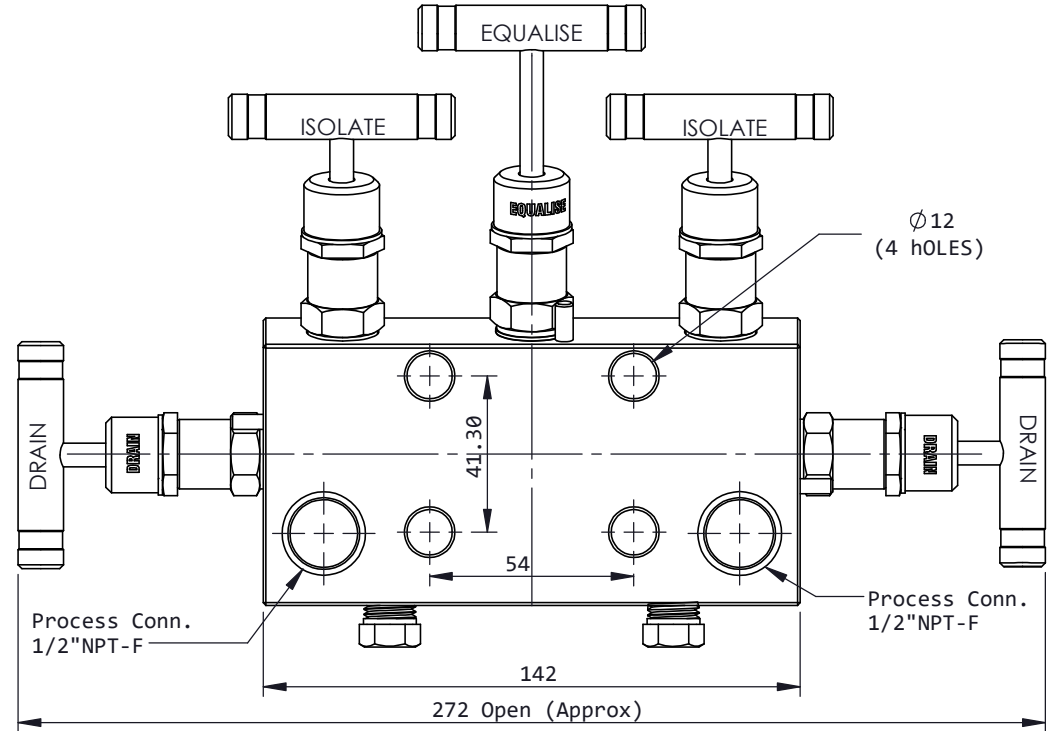
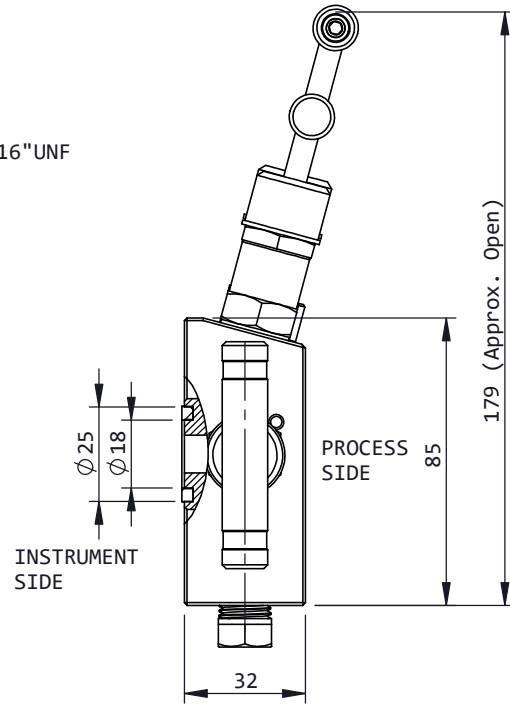


Transmitter Mounting Bolt
Qty.: 4Nos



Bracket Mounting Bolt
Qty.: 2Nos



Data Sheet

Process Conn.: 1/2" NPT-F
Instrument Conn.: Direct Mounting
Drain Conn.: 1/2" NPT-F (Plugged)

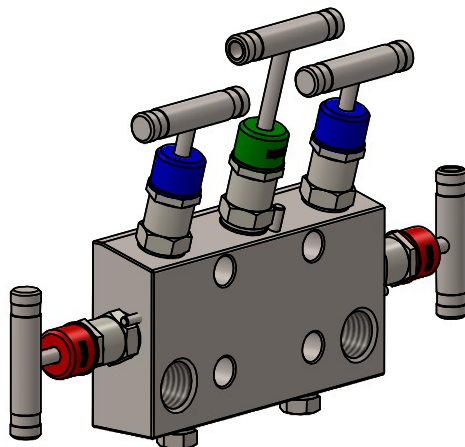
M.W.P.: 6000 psig @ 100°F
Seat Test (Hydro) : 6600 psig
Shell Test (Hydro) :9000 psig

Screwed Bonnet Design

Materials

Body : ASTM A182 F316
Trim : ASTM A479 316
Seals : PTFE

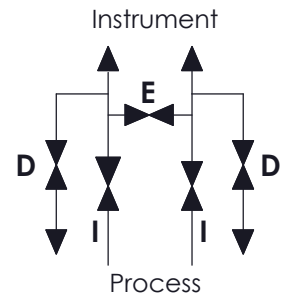
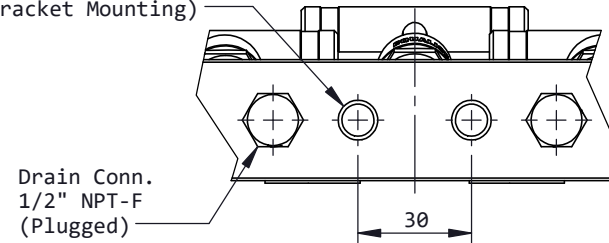
Handle : SS316
Bolts : SS316
Drain Plug : SS316



Model No.

TV5B-8F-S6

M10 Tapping
(Bracket Mounting)



5 Valve Manifold 1/2" NPT-F x Direct Mounting Type

All Dimensions are in mm. Unless otherwise stated.

Material SS316

DRAWING NO.:-

TV5B-8F-S6



Fittings & Valves
www.havi.in
info@havi.in

Rev. No/Date	0	00
Drawn/Date	RW	13.08.2022
Approved/Date	SM	13.08.2022
SCALE	NTS	

* All dimensions are in mm. Dimensions for reference only and are subject to change without notice
* This document is the property of VIPAL ENTERPRISES Pvt. Ltd. No exploitation or release of any text contained herein or relating to this document is permitted in any form without the written consent of VIPAL.