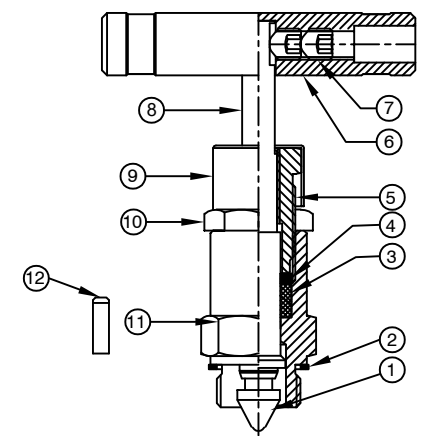
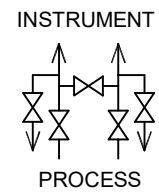


Sr No.	Description	Material	Qty
1	TIP	ASTM A479 Gr.SS316	5
2	BONNET PACKING	ASTM A479 Gr.SS316	5
3	GLAND PACKING	GFT	5 Set
4	GLAND WASHER	ASTM A479 Gr.SS316	5
5	BONNET PUSHER	ASTM A479 Gr.SS316	5
6	HANDLE	SS304	5
7	GRUB SCREW	SS304	10
8	SPINDLE	ASTM A479 Gr.SS316	5
9	DRAIN CAP	PVC	5
10	CHECK NUT	SS304	5
11	BONNET	ASTM A479 Gr.SS316	5
12	DOWEL PIN	SS304	5
13	BODY	ASTM A182 Gr.SS316	1
14	DRAIN PLUG	ASTM A479 Gr.SS316	2



**TECHNICAL DETAILS:**

- Process Side: 1/2" NPT-F
  - Instrument Side: Direct Mount Flg IEC 61518 TypeB
  - Drain: 1/4" NPT-F (Plugged)
  - Screwed Bonnet Design
- 
- MWP : 6000 psig @100°F
  - Seat Test Press (Hydro): 6600 psig
  - Seat Test Press (Pneu): 90 psig
  - Body Test Press (Hydro) : 9000 psig
  - Nace MR0175 Applicable
  - Temperature Range:- -54 to 260°C
  - Hydrostatic Shell & Seat Test.
  - Pneumatic Seat Test.



**havi**  
Fittings & Valves  
info@havi.in www.havi.in  
A-201, PRIME TRADE CENTER  
SATIVALI ROAD, VASAI (E),  
PALGHAR - 401208, MAHARASHTRA, INDIA

	SIGN	DATE
DRAWN BY	VK	22.01.2023
CHECKED BY	SB	22.01.2023
APPROVED BY	SD	22.01.2023

PART NAME : 5 Valve Direct Mounted Manifold Straight Type 1/2" NPT-F x Flange Type B x 1/4" NPT-F DRAIN		CUSTOMER NAME: -	
DWG NO : - TV5B-8F-S6-TPB-N		PROJECT NAME & NO: -	
MATERIAL : - AS PER BOM		ENQ NO: EN2223/01101	
REV NO	DESCRIPTION	SIGN	DATE

SO NO: -		SHEET NO: 01 OF 01	
		REV NO: 00	
		SCALE: NTS	

PATH: T:\2022-2023\EXPORT\EN222301101GAD