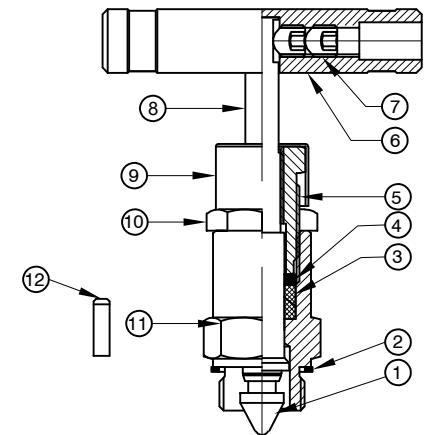


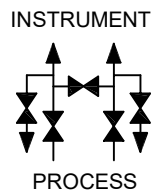
Sr No.	Description	Material	Qty
1	TIP	ASTM A479 Gr.SS316	5
2	BONNET PACKING	ASTM A479 Gr.SS316	5
3	GLAND PACKING	GFT	5 Set
4	GLAND WASHER	ASTM A479 Gr.SS316	5
5	BONNET PUSHER	ASTM A479 Gr.SS316	5
6	HANDLE	SS304	5
7	GRUB SCREW	SS304	10
8	SPINDLE	ASTM A479 Gr.SS316	5
9	DUST CAP	ALUMINIUM	5
10	CHECK NUT	SS304	5
11	BONNET	ASTM A479 Gr.SS316	5
12	DOWEL PIN	SS304	5
13	BODY	ASTM A182 Gr.SS316	1
14	DRAIN PLUG	ASTM A479 Gr.SS316	2



DETAIL : A
5 Nos.

TECHNICAL DETAILS:

- Process Side: 1/2" NPT-F
- Instrument Side: Direct Mount Flg IEC 61518 TypeB
- Drain: 1/4" NPT-F (Plugged)
- Screwed Bonnet Design
- MWP : 6000 psig @100°F
- Seat Test Press (Hydro): 6600 psig
- Seat Test Press (Pneu): 90 psig
- Body Test Press(Hydro) : 9000 psig
- Temperature Range:- -54 to 260°C
- Hydrostatic Shell & Seat Test.
- Pneumatic Seat Test.



havi
Fittings & Valves
info@havi.in www.havi.in
A-201, PRIME TRADE CENTER
SATIVALI ROAD, VASAI (E),
PALGHAR - 401208, MAHARASHTRA, INDIA

	SIGN	DATE
DRAWN BY	VK	22.01.2023
CHECKED BY	SB	22.01.2023
APPROVED BY	SD	22.01.2023

PART NAME : 5 Valve Direct Mounted Manifold Straight Type 1/2" NPT-F x Flange Type B x 1/4" NPT-F DRAIN			
DWG NO : - TV5B-8F-S6			
MATERIAL : - AS PER BOM			
01	Dimensions changes	MBC	29.03.2023
REV NO	DESCRIPTION	SIGN	DATE
* All dimensions are in mm. Dimensions for reference only and are subject to change without notice			
* This document is the property of Havi Engineering India Pvt. Ltd. No exploitation or release of any text contained herein or relating to this document is permitted in any form without the written consent of HAVI.			

CUSTOMER NAME: -	
PROJECT NAME & NO: -	
ENQ NO: EN2223/00608	
SO NO: - SO2223/00470	SHEET NO: 01 OF 01
	REV NO: 01
	SCALE: NTS