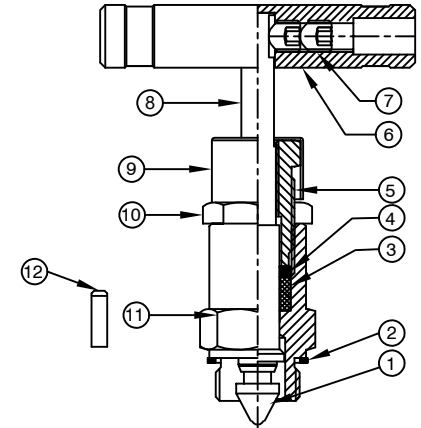
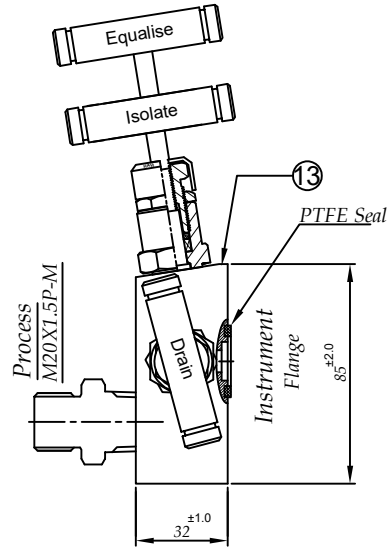
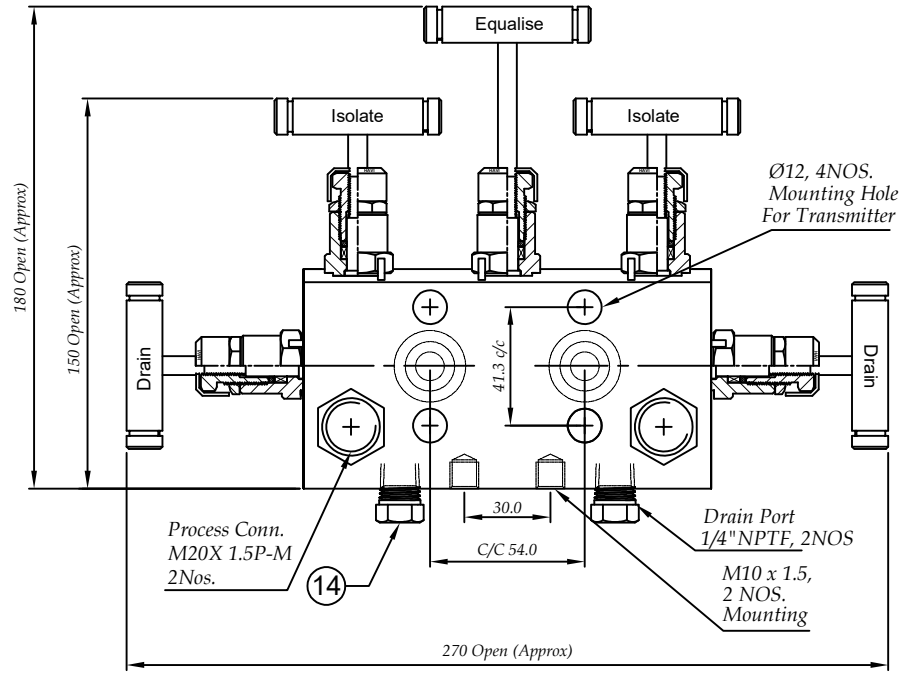


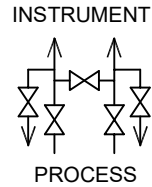
Sr No.	Description	Material	Qty
1	TIP	ASTM A479 Gr.SS316	5
2	BONNET PACKING	ASTM A479 Gr.SS316	5
3	GLAND PACKING	GFT	5 Set
4	GLAND WASHER	ASTM A479 Gr.SS316	5
5	BONNET PUSHER	ASTM A479 Gr.SS316	5
6	HANDLE	SS304	5
7	GRUB SCREW	SS304	10
8	SPINDLE	ASTM A479 Gr.SS316	5
9	DRAIN CAP	PVC	5
10	CHECK NUT	SS304	5
11	BONNET	ASTM A479 Gr.SS316	5
12	DOWEL PIN	SS304	5
13	BODY	ASTM A182 Gr.SS316	1
14	DRAIN PLUG	ASTM A479 Gr.SS316	2



**DETAIL : A**  
**5 Nos.**

**TECHNICAL DETAILS:**

- Process Side: M20X1.5P-M
- Instrument Side: Direct Mount Flg
- Drain: 1/4" NPT-F (Plugged)
- Screwed Bonnet Design
- MWP : 6000 psig @100°F
- Seat Test Press (Hydro): 6600 psig
- Seat Test Press (Pneu): 90 psig
- Body Test Press(Hydro) : 9000 psig



**havi**  
Fittings & Valves  
info@havi.in www.havi.in  
A-201, PRIME TRADE CENTER  
SATIVALI ROAD, VASAI (E),  
PALGHAR - 401208, MAHARASHTRA, INDIA

	SIGN	DATE	REV NO	DESCRIPTION	SIGN	DATE
DRAWN BY	VK	02.09.2022				
CHECKED BY	SB	02.09.2022				
APPROVED BY	SM	02.09.2022				

PART NAME : 5 Valve Direct Mounted Manifold Straight Type M20X1.5P-M x Flange x 1/4" NPT-F DRAIN		CUSTOMER NAME: -	
DWG NO : - TV5B-M20M-S6		PROJECT NAME & NO: -	
MATERIAL : - AS PER BOM		ENQ NO:EN2223/00608	
		SO NO: -	
		SHEET NO: 01 OF 01	
		REV NO: 00	
		SCALE: NTS	

\* All dimensions are in mm. Dimensions for reference only and are subject to change without notice  
\* This document is the property of Havi Engineering India Pvt. Ltd. No exploitation or release of any text contained herein or relating to this document is permitted in any form without the written consent of HAVI.

PATH:-X:\2022-2023\EXPORT\EN222300608