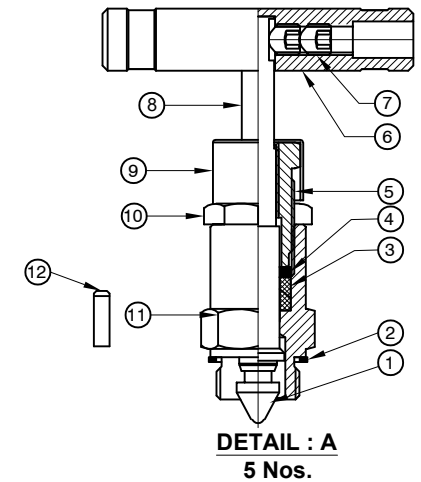
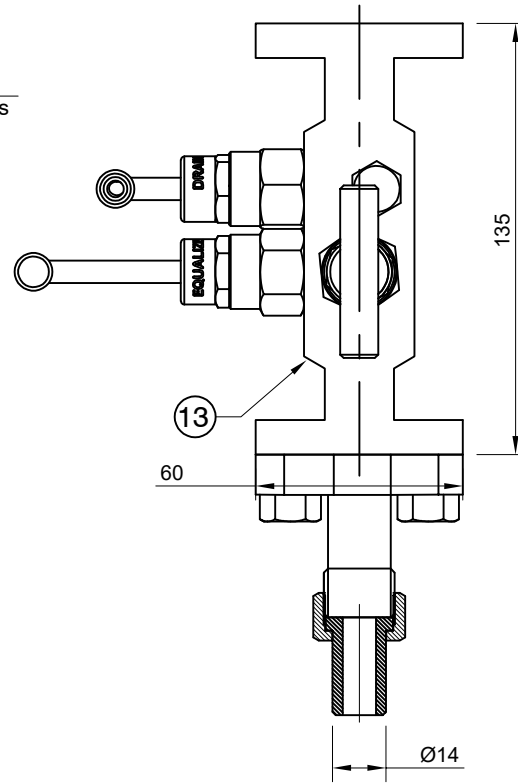
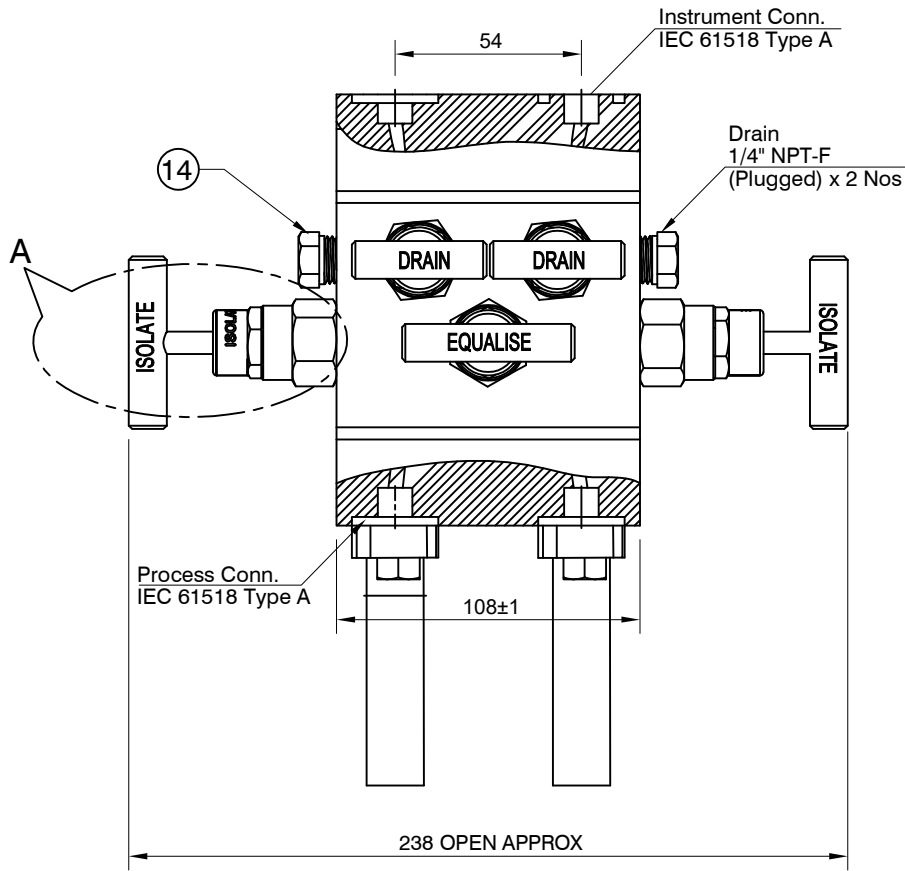
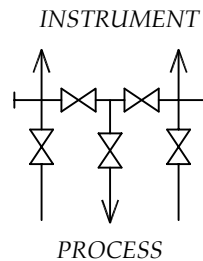



| Sr No. | Description | Material | Qty |
|--------|----------------|--------------------|-------|
| 1 | TIP | ASTM A479 Gr.SS316 | 5 |
| 2 | BONNET PACKING | ASTM A479 Gr.SS316 | 5 |
| 3 | GLAND PACKING | GFT | 5 Set |
| 4 | GLAND WASHER | ASTM A479 Gr.SS316 | 5 |
| 5 | BONNET PUSHER | ASTM A479 Gr.SS316 | 5 |
| 6 | HANDLE | SS304 | 5 |
| 7 | GRUB SCREW | SS304 | 10 |
| 8 | SPINDLE | ASTM A479 Gr.SS316 | 5 |
| 9 | DRAIN CAP | PVC | 5 |
| 10 | CHECK NUT | SS304 | 5 |
| 11 | BONNET | ASTM A479 Gr.SS316 | 5 |
| 12 | DOWEL PIN | SS304 | 5 |
| 13 | BODY | ASTM A182 Gr.F316 | 1 |
| 14 | DRAIN PLUG | ASTM A479 Gr.SS316 | 2 |



TECHNICAL DETAILS:

- Process Side: 14mm Weld Tube
 - Instrument Side: Direct Mount Flg
 - Drain: 1/4" NPT-F (Plugged)
 - Screwed Bonnet Design
-
- MWP : 10000 psig @100°F
 - Seat Test Press (Hydro): 11000 psig
 - Seat Test Press (Pneu): 90 psig
 - Body Test Press(Hydro) : 15000 psig



| | | | | | |
|---|---|-----------|-------------------------|-----------------------|--|
|  <p>havi Fittings & Valves info@havi.in www.havi.in A-201, PRIME TRADE CENTER SATIVALI ROAD, VASAI (E), PALGHAR - 401208, MAHARASHTRA, INDIA</p> | PART NAME : 5 Valve Directly Mounted Manifold 14mm Weld Tube X Flange X 1/4" NPT-F Drain | | CUSTOMER NAME: - | | |
| | DWG NO : - TV5CH-M20M-14MTBW-S6 | | PROJECT NAME & NO: - | | |
| | MATERIAL : - SS316 | | ENQ NO:EN2223/00589 | | |
| DRAWN BY : VK | | SIGN : SB | | DATE : 10.10.2022 | |
| CHECKED BY : SB | | SIGN : SM | | DATE : 10.10.2022 | |
| APPROVED BY : SM | | SIGN : SM | | DATE : 10.10.2022 | |
| * All dimensions are in mm. Dimensions for reference only and are subject to change without notice | | | | SO NO : - | |
| * This document is the property of Havi Engineering India Pvt. Ltd. No exploitation or release of any text contained herein or relating to this document is permitted in any form without the written consent of HAVI. | | | | SHEET NO: 01 OF 01 | |
| | | | | REV NO: 00 | |
| | | | | SCALE: NTS | |

PATH : T:\2022-2023\EXPORT\EN2223\00589